

# Owner's Manual & Assembly Instructions

PU1

## Model No. 697.60297 AK600 EARTH ANCHOR KIT

FOR STORAGE  
BUILDINGS



### INTRODUCTION:

This Anchor Kit contains (4) anchors and is recommended for buildings no larger than 10 x 10 ft. (3m x 3m). Use two kits for larger buildings.

#### IMPORTANT

FLOOR FRAME *MUST* BE LEVEL  
AND SQUARE BEFORE ANCHORING

Follow the instructions supplied with your building to assemble the Floor Frame. Place Floor Frame on level ground or on a prepared, level building site. If optional Floor Brace Kits and more than one Anchor Kit will be installed, attach Side Floor Frame Anchor Gussets between Floor Braces.

**NOTE:** If your building has been assembled before anchoring, refer to "Helpful Hints".

#### TOOLS REQUIRED

- Carpenter's Level



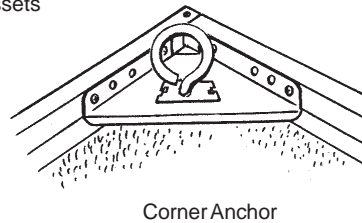
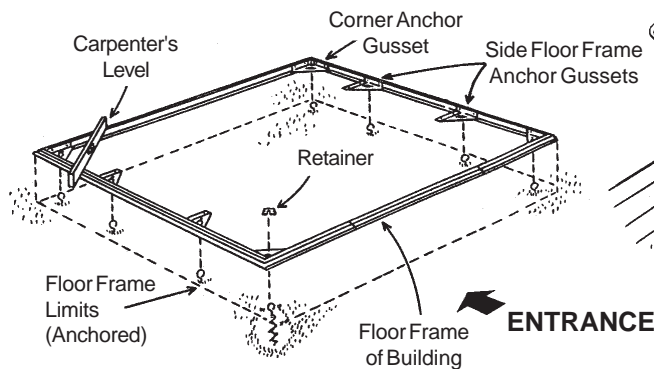
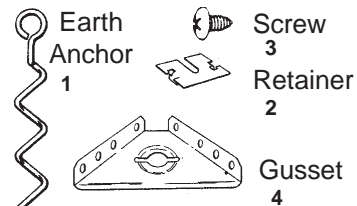
- # 2 Phillips Screwdriver



⊕ This

⊖ Not This

- Steel Bar or Iron Pipe



**NOTE:** Two (2) Anchor Kits shown.

## STEP 1 Installing Gussets

1. Attach a Gusset in each corner of Floor Frame.

**NOTE:** On some Models, it will be necessary to drill 1/8" (3mm) holes in the Floor Frame at each Anchor Gusset.

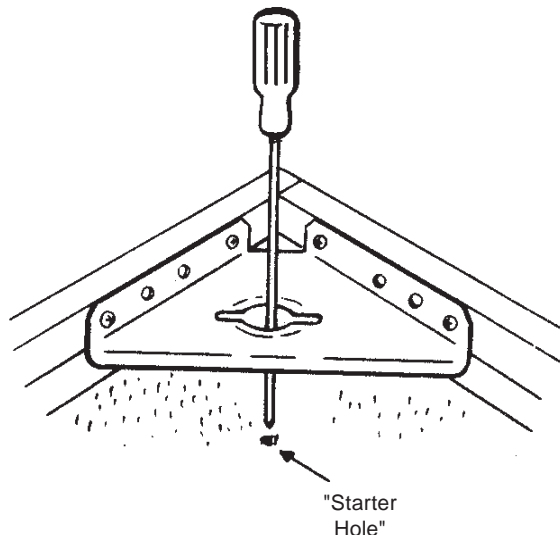
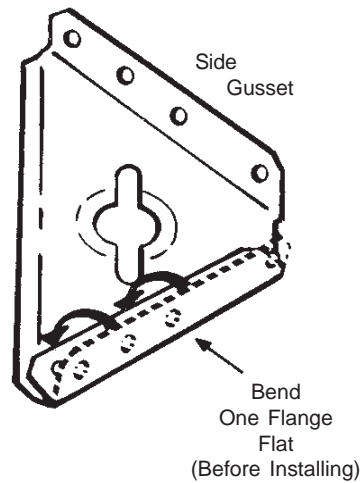
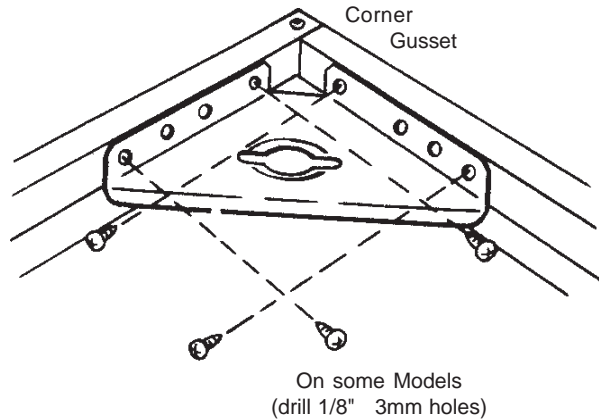
2. All other Gussets (2 Kits) are to be attached to Side Floor Frames. Bend one flange on each of these Gussets before installing.

## STEP 2 Installing Anchors

1. Make a "Starter Hole" in the ground for Anchor by inserting a long screwdriver or similar tool through the large hole in Gusset and into the ground. Push tool straight down into the ground approximately 10" (25cm) at each Anchor. Remove the tool and soak the ground at the "Starter Holes" with water.

**NOTE:** If ground is very loose, sandy or contains rocks, refer to the "Helpful Hints".

2. Move Floor Frame away from "Starter Holes" to install Anchors in the ground.
3. Insert sharp point of Anchor into "Starter Hole". Keep a steady downward pressure on Anchor while turning it clockwise into the ground. Use a 1/2" (13mm) steel bar, iron pipe or similar tool through the eye of the Anchor. Apply even pressure on both sides of the tool while turning.



**IMPORTANT:** Anchor *must* go straight down into the ground. Do not allow Anchor to angle or wander from the starting point.

4. Anchors are at proper depth when there is 1" (25mm) space under the eye as shown.
5. Move Floor Frame back in position over Anchors. Turn each Anchor slightly as necessary to align eye with slots in Gusset so that Floor Frame will rest on the ground.

## STEP 3 Tightening the Anchors

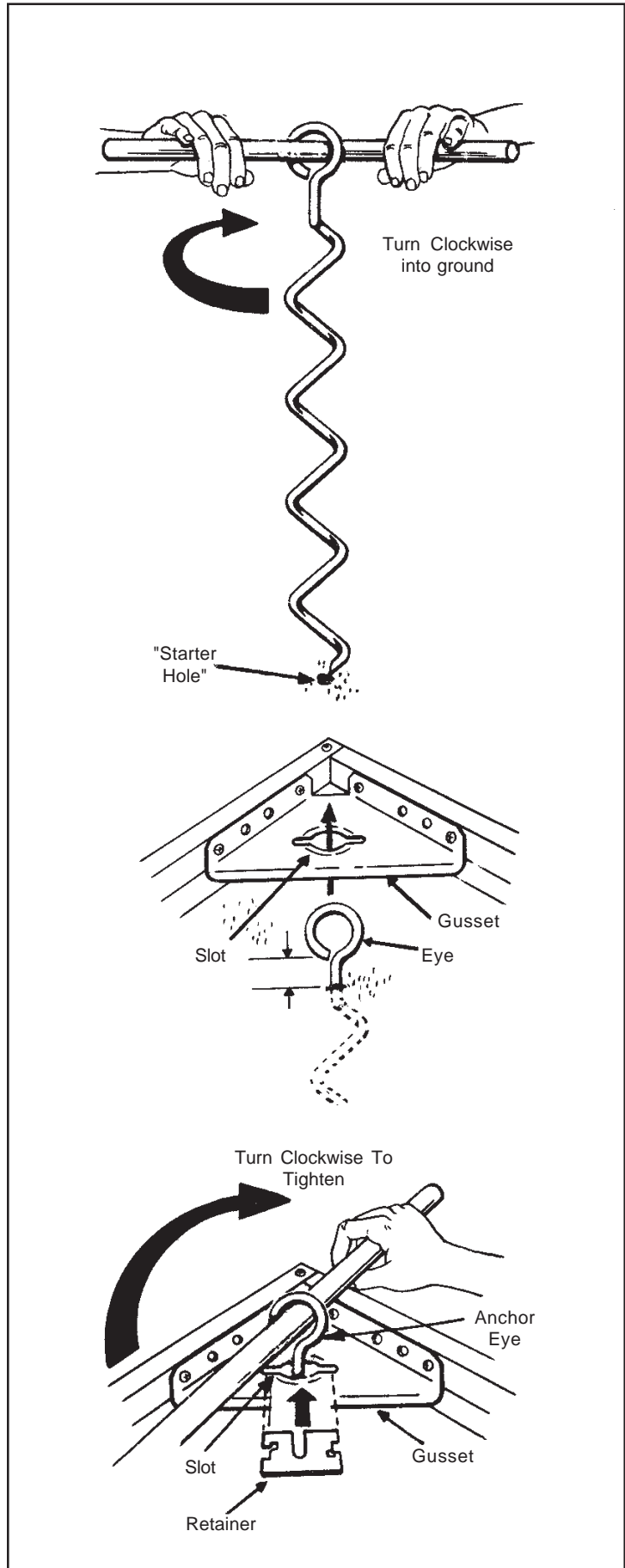
**CAUTION**

TIGHTEN ANCHORS ONLY AFTER BUILDING HAS BEEN ERECTED.

1. Insert a Retainer (tabs pointing down) under the eye of each Anchor so that tabs drop into slot in Gusset. Retainer must be flat against Gusset.
2. Turn Anchor clockwise until eye is *firmly* against Retainer. DO NOT OVER TIGHTEN!

**NOTE:** Each Corner Anchor can be tightened much easier with the Corner Panel removed from building.

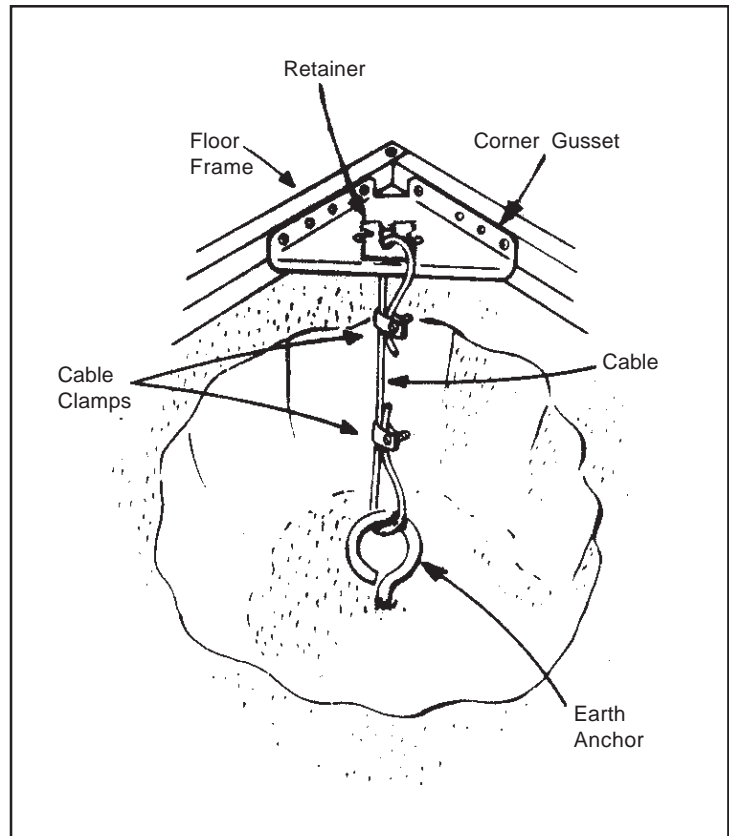
**IMPORTANT:** Re-install each Corner Panel before removing another Corner Panel from building.



## HELPFUL HINTS

1. Anchoring in very loose, sandy or rocky ground - It may be necessary to install anchors deeper in the ground. Dig a hole approximately 12" (30cm) deep at each anchor location. Install anchors in bottom of hole in same manner as Step 2 except as follows:
  - a. Insert a short length of 1/8" (3mm) steel cable thru eye of anchor and secure with a cable clamp as shown.
  - b. Insert other end of cable thru Hole in Gusset.
  - c. Insert a Retainer (tabs pointing down) with cable in slot.
  - d. Pull cable taut and secure with a cable clamp as shown.
  - e. Fill in the hole to ground level.

**NOTE:** Cable and Cable Clamps are *not* supplied with Earth Anchor Kit. These items may be purchased at most hardware stores.



2. Anchoring a building that has been completely assembled - Follow the instructions in Steps 1 thru 3 except as follows:
  - a. Leave the assembled building on the prepared site where it is to be anchored.
  - b. For easier access to Corner Gussets, remove Corner Panel from one corner of building.
  - c. Insert sharp point of Earth Anchor thru Hole in Gusset and into "Starter Hole" in ground. Turn anchor clockwise into ground until eye is 1/4" (6mm) above the Gusset. Place Retainer under eye and continue to turn anchor until eye is firmly against Retainer.
  - d. Re-install Corner Panel on building.
  - e. Repeat this procedure at each remaining corner.

## TO ORDER REPLACEMENT PARTS

Should you need replacement parts, please contact your local Store.

### Parts List ANCHOR KIT

MODEL NO. 697.60297 AK600

Key No.	Part No.	Description	Qty.
1	66108	Earth Anchor	4
2	66110	Retainer	4
3	66109	#10Ax1/2" Screw	16
4	8397	Corner Gusset	4
-	704990300	Instruction Folder	1