



Stand Up Desk Assembly Guide
for 48" & 40" Wide Desks

Table of Contents

Table of Contents	2
Parts List & Hardware	3
<u>Assembly and Installation</u>	
Attach casters to the frame	4
Attach shelf cross bars to the frame	5
Attach cross bar to the frame	6
Attach lower shelf to the frame	7
Shelf height hole pattern guide	8
Attach middle cross bar to the frame	9
Flip upright then attach the keyboard shelf.	10
Attach the top monitor shelf	11

Tools Reccomended

- Phillips Screwdriver

ATTENTION!

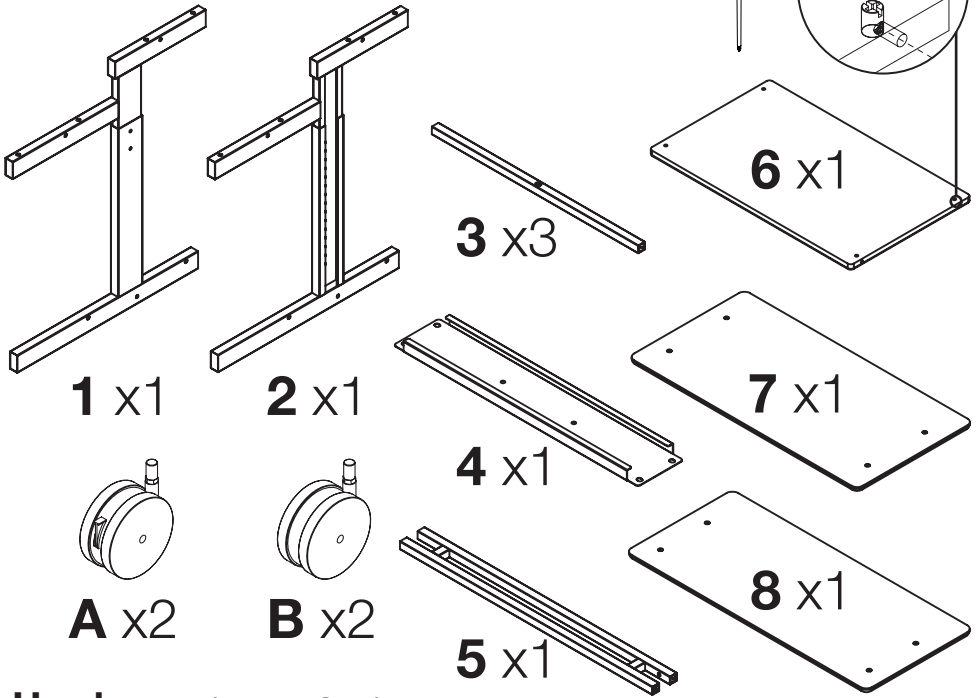
Do not fully tighten screws until completely assembled

WE ARE GIVING YOU A STANDING OVATION

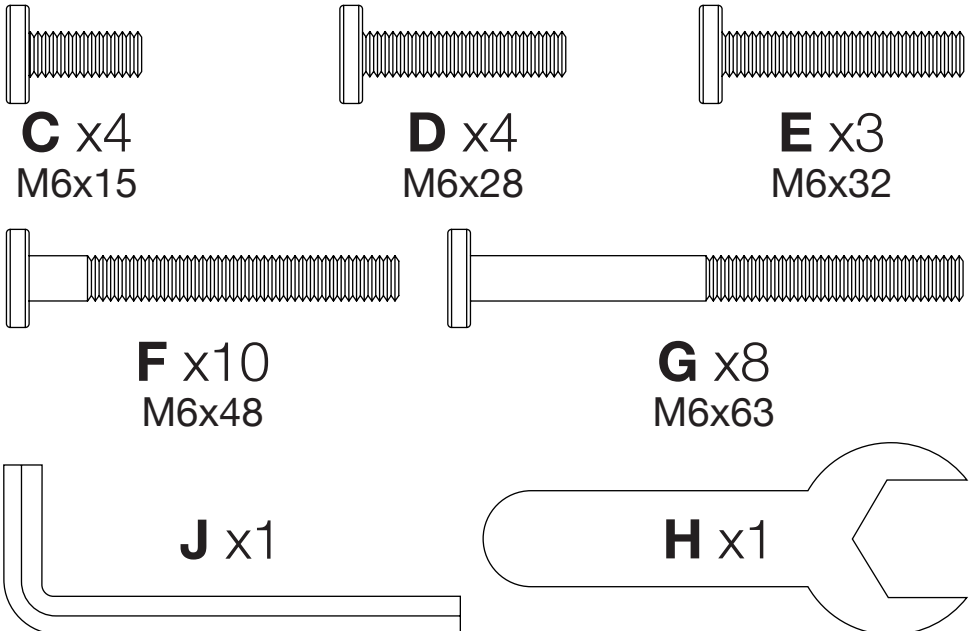
You did it! You took the first step towards healthier living by purchasing our stand up desk. We couldn't be happier to have you joining the millions of people who were tired of sitting around and ready to take a stand for a healthier life.

This desk was build with you in mind and every detail was carefully crafted. The following assembly guide is best accomplished with two people. If you have any questions or concerns please give us a call at: **1-800-323-4656** or email: **customerservice@luxorfurn.com**

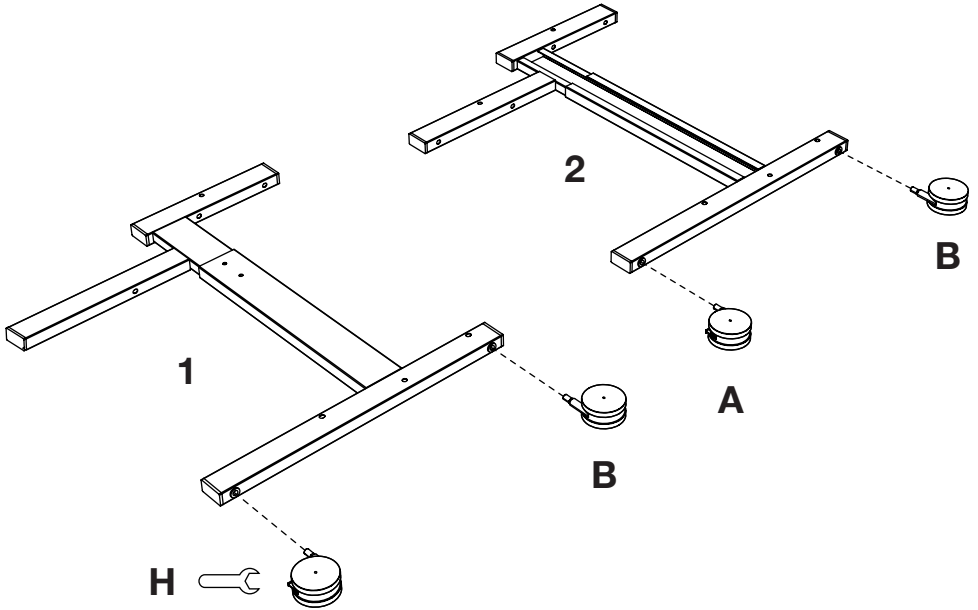
Parts List



Hardware (Actual Size)



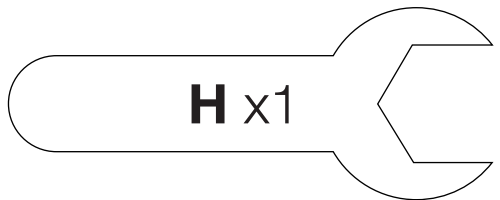
1 Attach casters to the frame



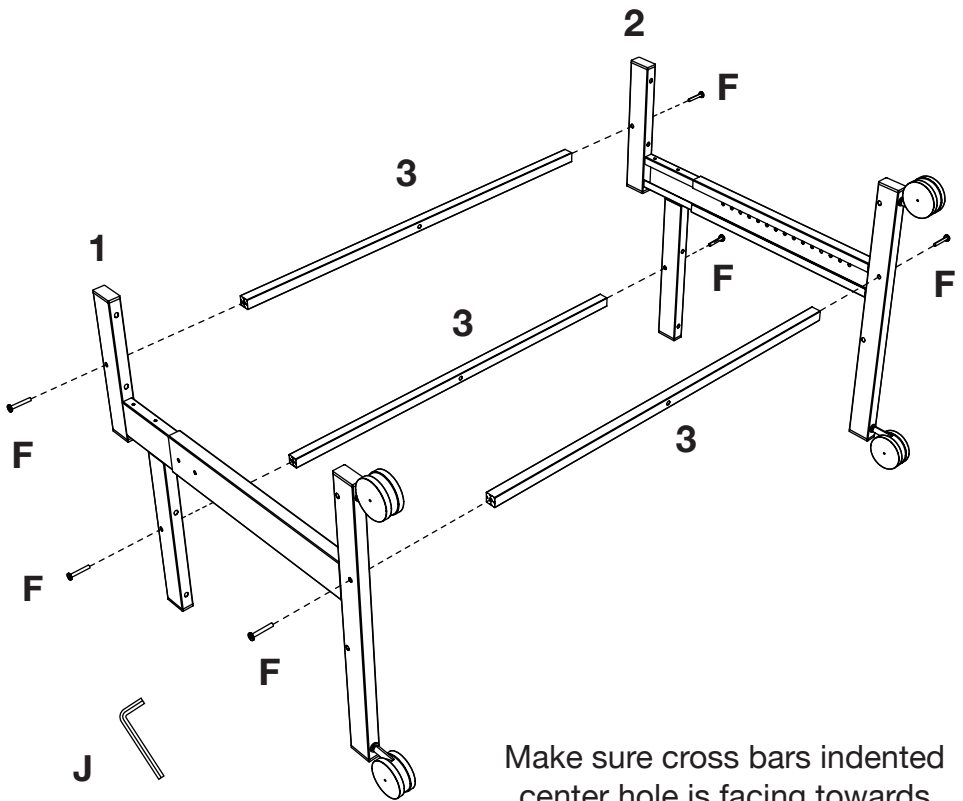
Tighten casters
fully with included
wrench **A**

Gather Parts:
1, 2, A, B

&



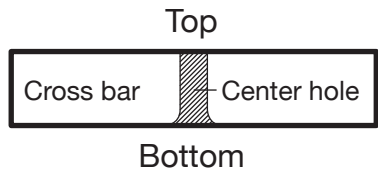
2 Attach shelf cross bars to the frame



Make sure cross bars indented center hole is facing towards the casters

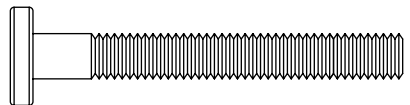


Assistance Recommended



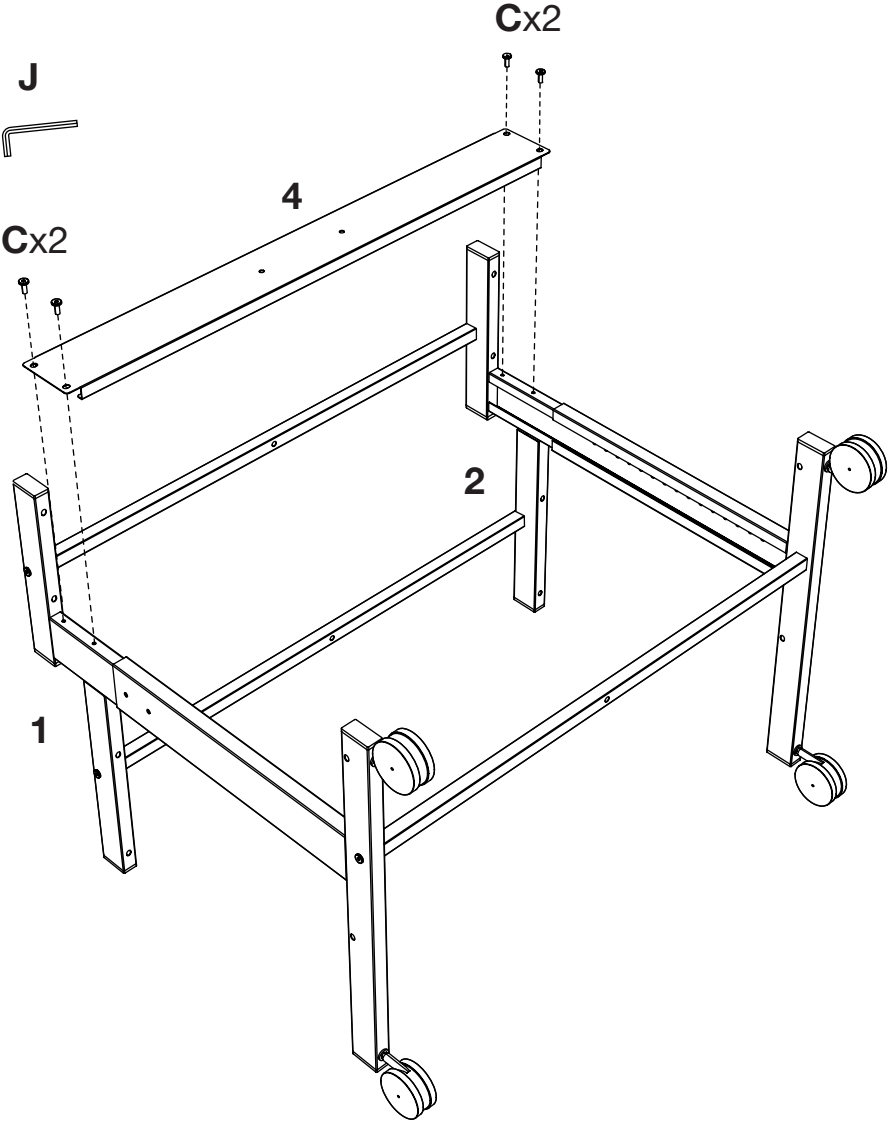
Gather Parts:
3 (x3)

&



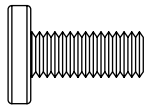
F x6
M6x48

3 Attach cross bar to the frame



Gather Parts:
4

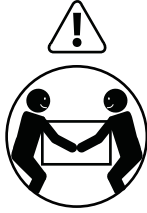
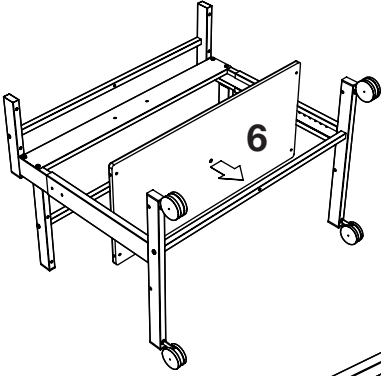
&



C x 4
M6x15

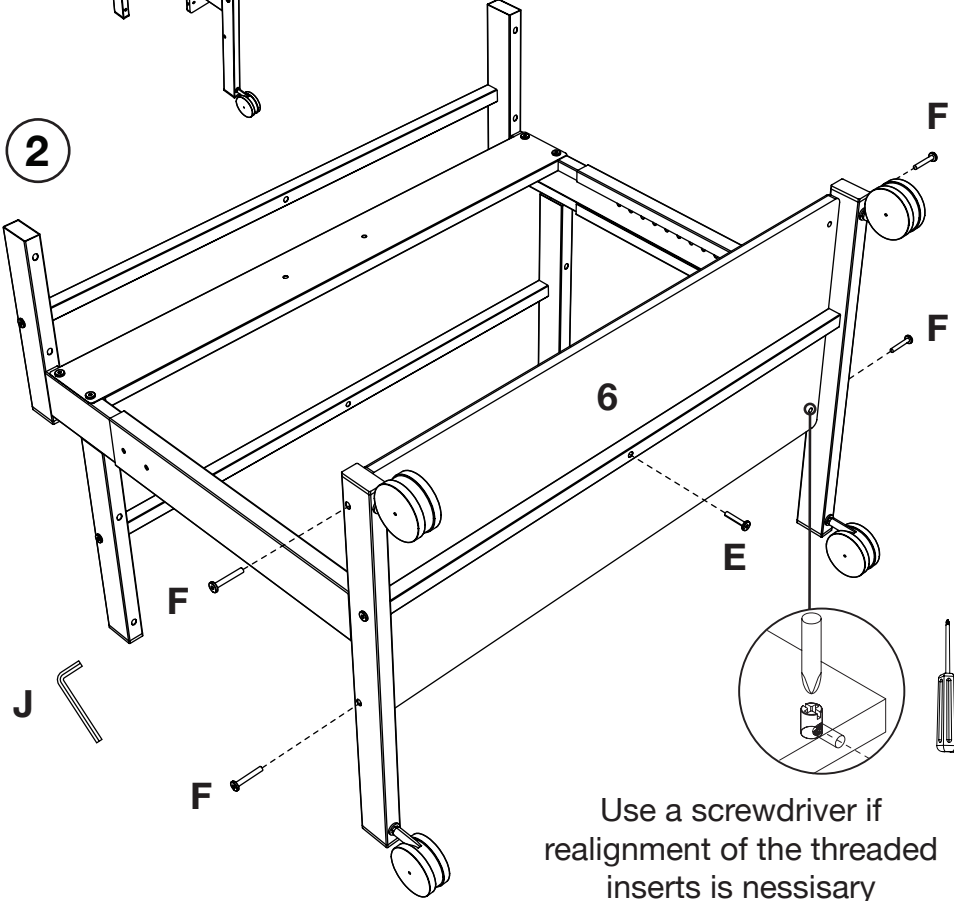
4 Attach lower shelf to the frame

1



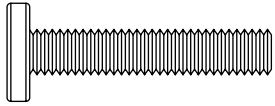
Assistance Recommended

2

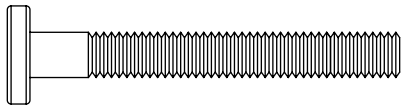


Use a screwdriver if realignment of the threaded inserts is necessary

Gather Parts:
6



E x1
M6x32



F x4
M6x48

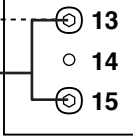
5

Shelf height hole pattern guide

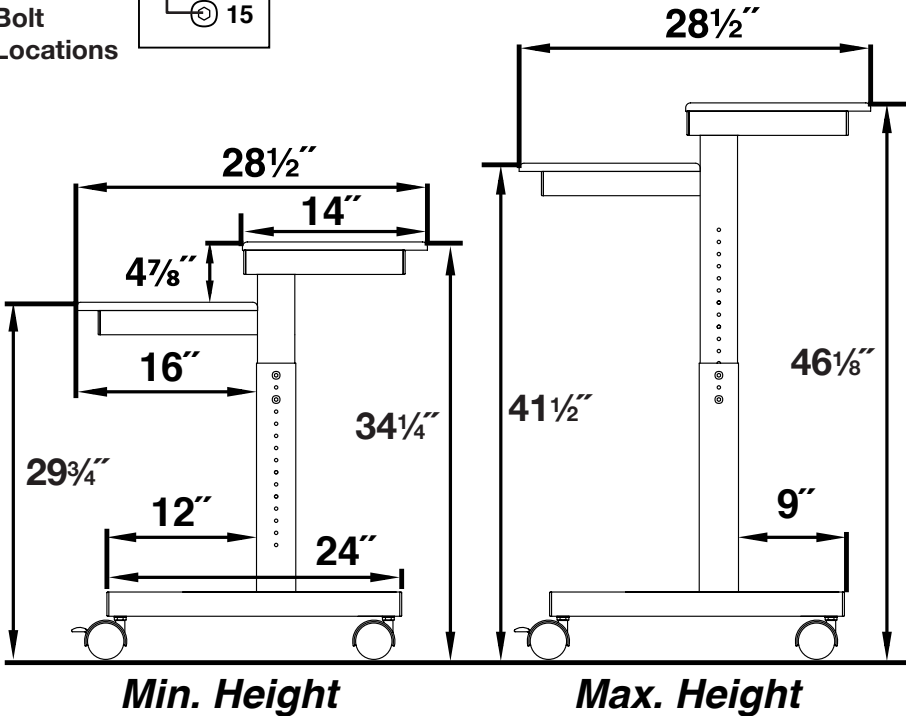
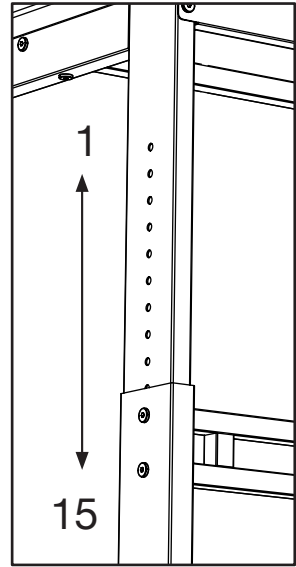
Keyboard Shelf Height Top Shelf Height

29 ³ / ₄ "	○ 1	34 ¹ / ₄ "
30 ⁵ / ₈ "	○ 2	35 ¹ / ₄ "
31 ⁵ / ₈ "	○ 3	36 ¹ / ₄ "
32 ⁵ / ₈ "	○ 4	37 ¹ / ₄ "
33 ⁵ / ₈ "	○ 5	38 ¹ / ₄ "
34 ⁵ / ₈ "	○ 6	39 ¹ / ₄ "
35 ⁵ / ₈ "	○ 7	40 ¹ / ₄ "
36 ⁵ / ₈ "	○ 8	41 ¹ / ₈ "
37 ¹ / ₂ "	○ 9	42 ¹ / ₈ "
38 ¹ / ₂ "	○ 10	43 ¹ / ₈ "
39 ¹ / ₂ "	○ 11	44 ¹ / ₈ "
40 ¹ / ₂ "	○ 12	45 ¹ / ₈ "
41 ¹ / ₂ "	⊙ 13	46 ¹ / ₈ "

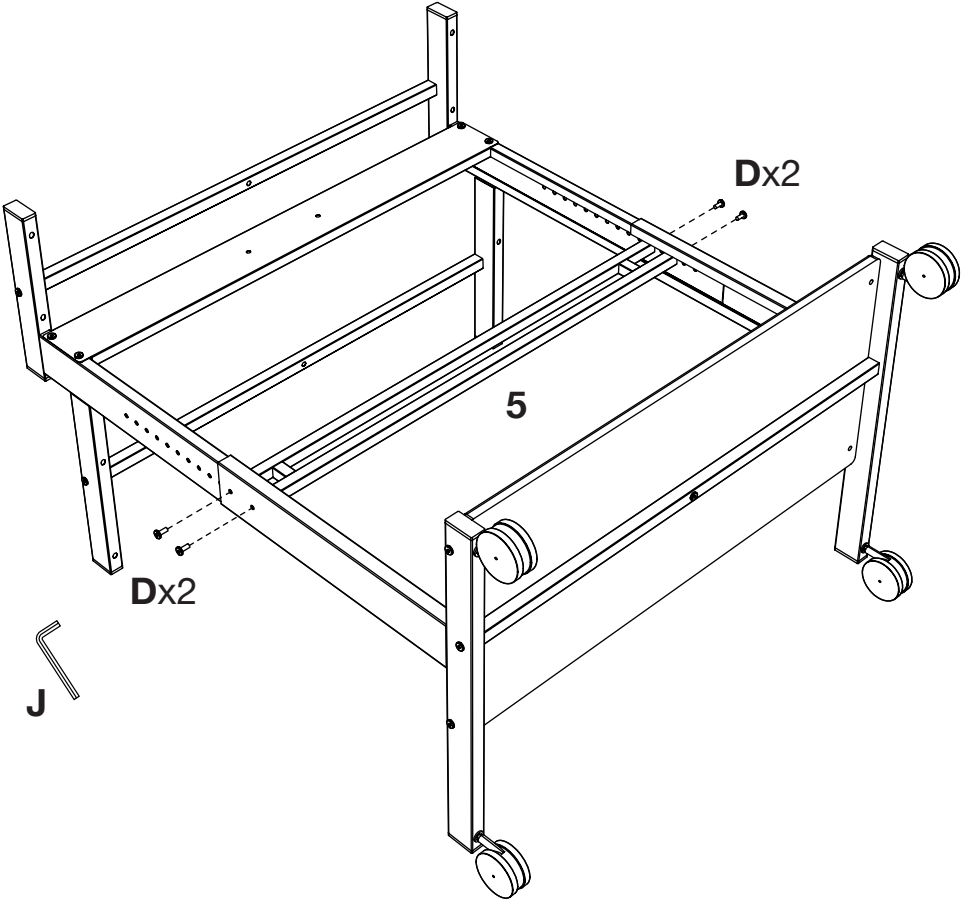
Crossbar Bolt Locations



Hole Number

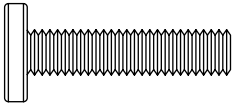


6 Attach middle cross bar to the frame



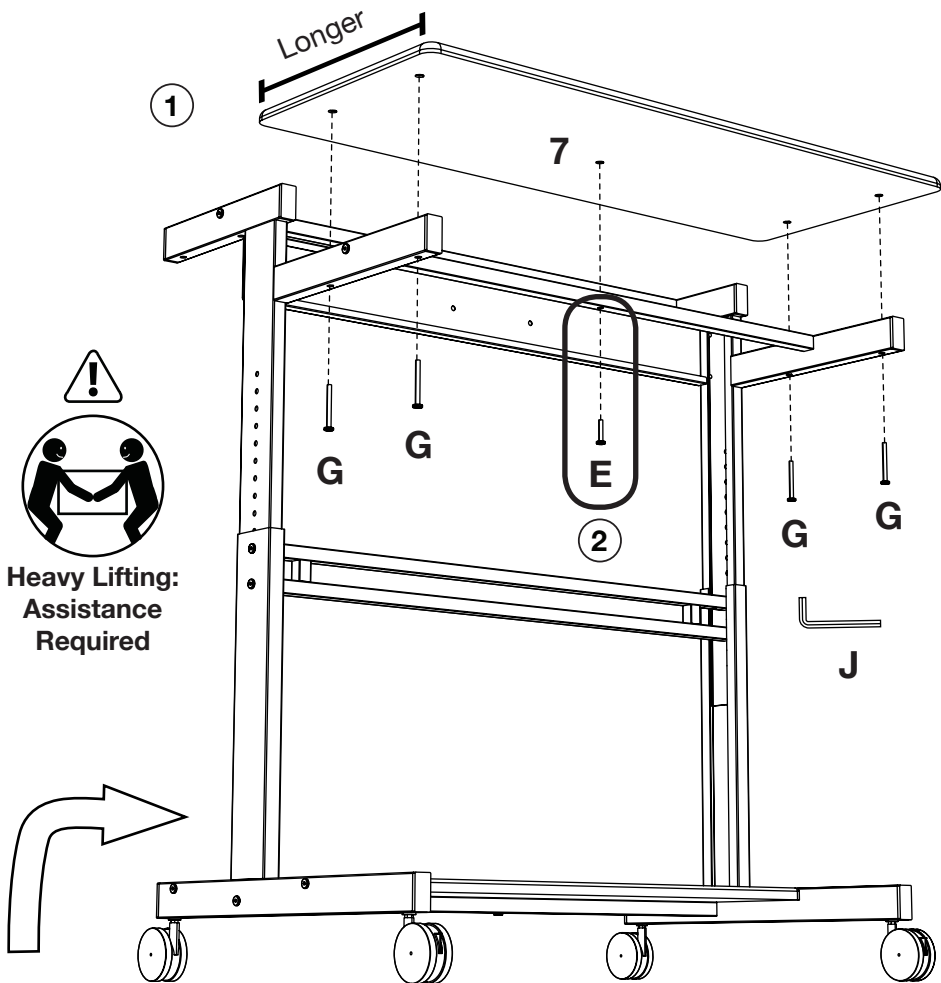
Gather Parts:
5

&



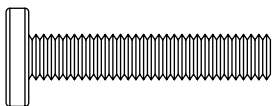
D x4
M6x28

7 Flip upright then attach the keyboard shelf



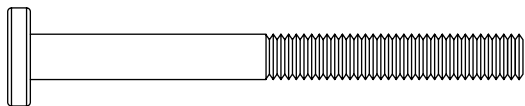
Gather Parts:
7

&



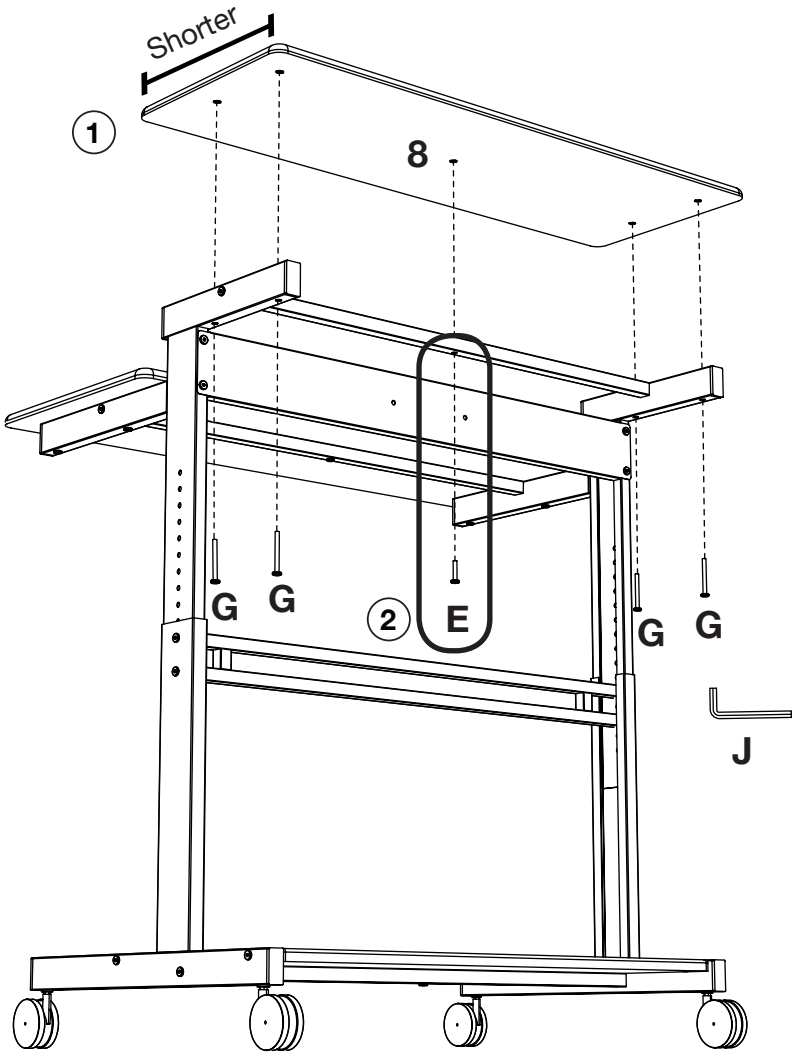
E x1
M6x32

10 / 12



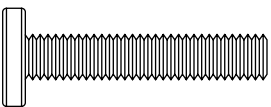
G x4
M6x63

8 Attach the top monitor shelf

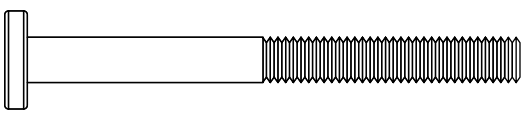


Gather Parts:
8

&



E x1
M6x32



G x4
M6x63

Questions or Feedback Call Us at:

800-323-4656