

*Milano*

ITEM NO \_\_\_\_\_

PROJECT \_\_\_\_\_

DATE \_\_\_\_\_

**Blending the  
Art of Coffee...  
with the Science  
of Brewing.**

THE ART — Contemporary, beautiful design adds a touch of elegance to any operation.

THE SCIENCE — Master rich and robust flavor every time with precise control over all aspects of brewing provided by user-friendly G3 Technology.



# Curtis<sup>®</sup> Milano

## The Art of Coffee

The new, sophisticated Curtis Milano embodies elegance with an unparalleled, inspiring design that takes gourmet coffee service to the next level. Your customers will be naturally drawn to the elegant, conical shaped stainless steel servers that make every station beautiful. The servers are complemented by the contemporary brewing system featuring black side panels with burgundy accents.

Enjoy maximum handling convenience provided by side

curvatures and an integral handle located at the top of the server. Integral quality timers ensure optimum coffee quality. Plus, the round drip trays “nest” to the base, so they stay in place to catch every drip. And, its hide-away cover contains a convenient spare sight glass and cleaning brush.

With all of these features and more, the Curtis Milano has the looks and the brains to satisfy your customers like never before.

*Curtis Milano Server*



*Integral Quality Timer*



*Nesting Drip Tray*



*European-Styled Legs*



*Contemporary Faucet & Guard*



# The Science of Brewing

## Smarter Features

- Smart server design uses vacuum insulation maximizing heat retention.
- Brew through server lids lock in temperature and flavor.
- Integral faucet and guard. Faucet guard drops down for ease of cleaning.
- Centrally located hot water spout for instant hot beverages and hot water needs.
- Unique deep bed, high capacity gourmet brew cones ensure maximum flavor extraction.
- European-styled 4" adjustable legs conform to requirements while adding to the Milano's style.
- Angled LCD display for easy viewing.
- Common parts and front access create an easy to service unit.
- Nationwide network of factory trained service professionals.

## Curtis G3 Technology

With Generation Three Technology, the Curtis® Milano puts brewing mastery at the users' finger tips. Create signature flavor profiles with precise, digital control over the entire brewing process. Customize pre-infusion, pulse brewing, water bypass, cold brew lock-out and many more settings for optimal flavor. Save your settings for consistently great coffee every time.

G3 Technology also offers a variety of easily modifiable pre-programmed brewing recipes. Choose from Gourmet Standard, Dark Roast, Light Roast, High Yield, Filter Pack and Decaf. And with its scroll-through menu, it's easy to fine-tune the brewing process for your exacting gourmet profile.



## G3 Digital Control Module



- Proprietary Heating Algorithm maintains brew temperature to ensure optimal flavor extraction.
- Fully customizable brew settings can be set for each individual brew button.
- Automatic notification of preventative maintenance needs or service requirements.
- Simple, easy-to-understand graphic overlay.
- All brewer functions are clearly displayed in real time.



Brew-Through Lid/  
Integral Handle



Deep-Bed Gourmet Brew Cone



Instant Hot Water

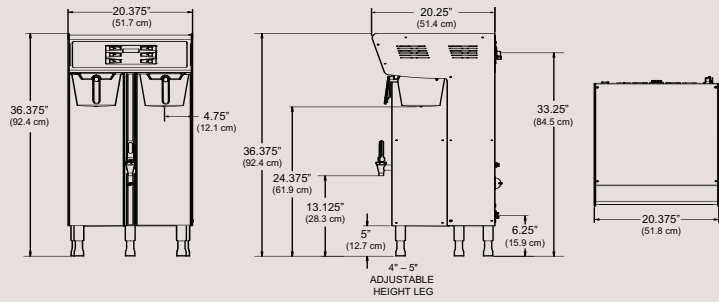


Angled LCD Display

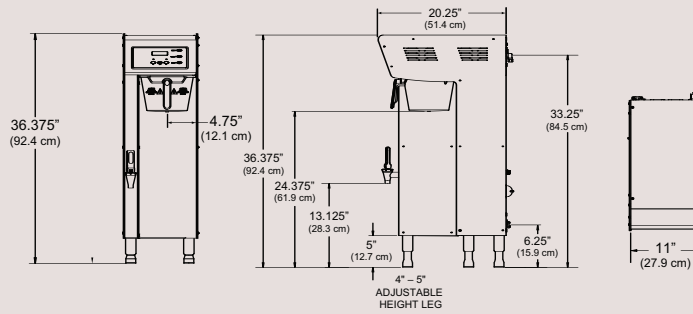


Side Carrying Handle

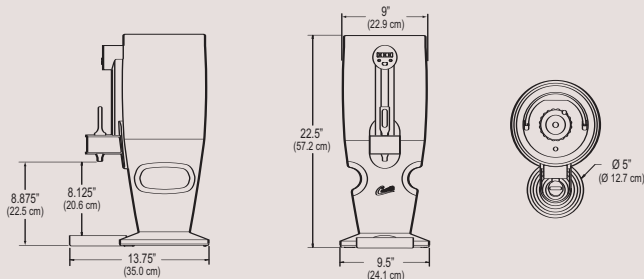
# TPC15T Twin



# TPC15S Single



# TLCG15 Server



Specifications	Batch Brewing Selections	Finished Brewing Capacity	Dimensions (HxWxD)	Voltage	Power Requirements	Water Source	Shipping Wt. (lbs.) w/o server	Cube (cu. ft.)
TPC15T Twin	6	3 Gal. (1.5 per side)	36.375" x 20.375" x 20.25"	220V/Single Phase* 3 Wire Plus Ground	5100W/7600W***	3/8" Compression	68	14.3
TPC15S Single	6	1.5 Gal.	36.375" x 11" x 20.25"	220V/Single Phase** 3 Wire Plus Ground	4300W	3/8" Compression	56	8.15
TLCG15 Server	--	1.5 Gal.	22.5" x 9.5" x 13.75"	--	--	--	14	3.7

\*Optional 220VAC/3 Phase—Specify 3 Wire or 4 Wire Plus Ground. \*\*Optimal Dual Voltage 120/220VAC

\*\*\*Field convertible to higher wattage.

## Field Changeable Enhanced Recovery Circuitry

Curtis Milano Twin\* units ship standard with a robust 5000 watts of recovery power. Should you have a higher rated circuit at the installation, a single connection change\*\*\* boosts the Milano to a powerful 7500 watts providing enhanced recovery and brewing speed.

NOTE: \*220VAC/Single Phase Models Only

\*\*\*Should be connected only by a qualified installation technician.



### WILBUR CURTIS COMPANY, INC.

6913 Acco Street, Montebello, CA 90640-5403

Telephone: 800-421-6150 · 323-837-2300

Fax: 323-837-2406

www.wilburcurtis.com

