



# GEMINI® G3 NARROW DIGITAL COFFEE BREWING SYSTEMS

MODEL: GEMTN TWIN, GEM-3N SATELLITE SERVER, GEM-5N STAND



GEMTN shown with GEM-3N Narrow Satellite Servers

## Legendary Performance, Space Saving Design – Incredibly Easy to Use.

With the same Generation Three (G3) technology and the Gemini® history that has set industry standards, Curtis introduces a narrow satellite gourmet coffee brewing system.

The Gemini® brewing system is designed to optimize coffee quality and flavor, while reducing maintenance and service. The Narrow Satellite Servers maintain coffee temperature, preserving the rich and bold flavor for extended periods. On-Board self diagnostics continually sense proper brewing operations and a Service Phone Number and error code are displayed in the event technical assistance is required.

Curtis G3 technology combines precision brewing capability with an easy-to-use interface. All brewing functions are displayed in real time, not a coded system of indicators. Curtis Gemini® systems are factory set for out-of-the-box operation with pre-programmed recipes that ensure a consistent brew, every time. And, with scroll-through menus it's just as easy to fine-tune the brewing process for your exacting gourmet coffee profile.

ITEM NO

PROJECT

DATE

### FEATURES AT A GLANCE

- **G3 Digital Control Module** – Provides gourmet coffee control with Pre-Infusion, Pulse-Brewing, Water Bypass and more. No manual adjustments needed.
- **Pre-Set, One-touch Global Recipes** – Based on coffee type, grind and weight - simplify profile settings for gourmet results every time. Standard Recipes include: Gourmet Standard\*, Dark Roast, Light Toast, High Yield, Filter Pack and Decaf. \*Our out-of-the-carton default setting.
- **Field selectable for One, Two or Three batch brewing.**
- **Enhanced Recovery Circuitry** – Boosts performance on 220V/ single phase models.
- **Deck Location Guides** – Ensure proper alignment with brew cone.
- **All features standard from Curtis . . . Extra from others.**
- **Standard Electronic Brew Cone Lock.**

### SATELLITES

- **New narrow design doubles capacity and saves counter space** – Up to 3 gallons in 9 inch space.
- **Double-Wall Construction in each Satellite Server** – Helps maintain coffee temperature with minimal heat.
- **Chest Style Handles** – For ease of transport.

### WARMER STANDS

- **Stabilizer brackets on back** – Holds satellite in place for added stability.
- **Individual Safety switch** – Heater activates only when satellite is placed on warmer.
- **Separate ON/OFF Switches** – Operate each side independently.



GEM-5N Warmer Stand

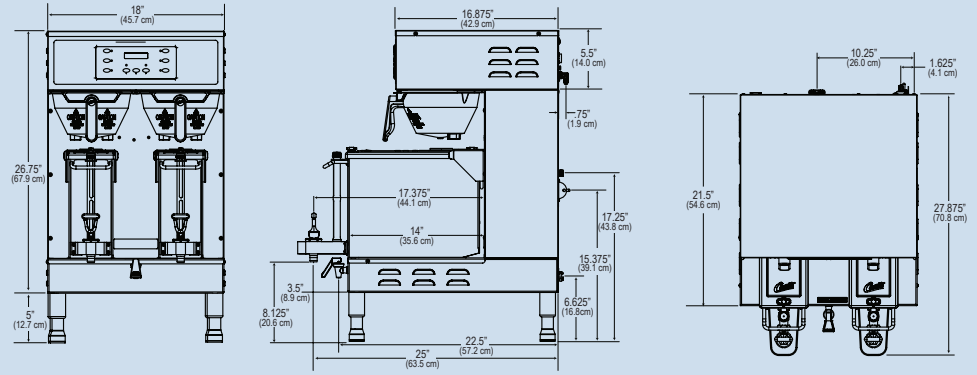


GEM-3N Satellite Servers with GEM-5N Warmer Stand

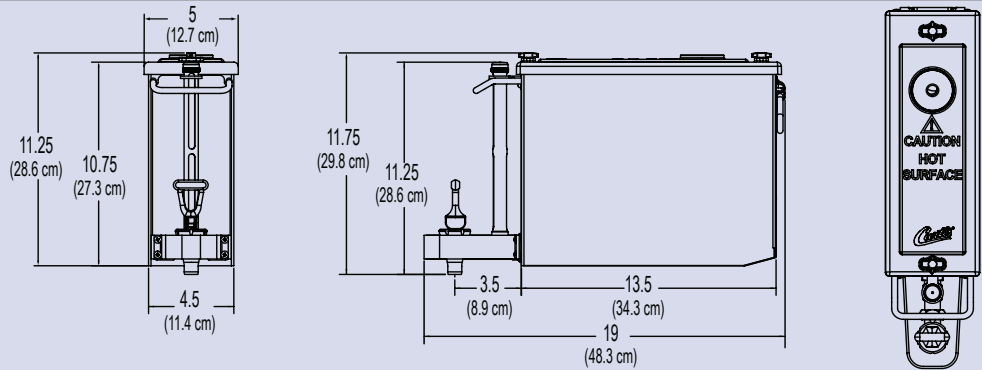
**New Narrow Satellite Design Doubles Capacity and Saves Counter Space**



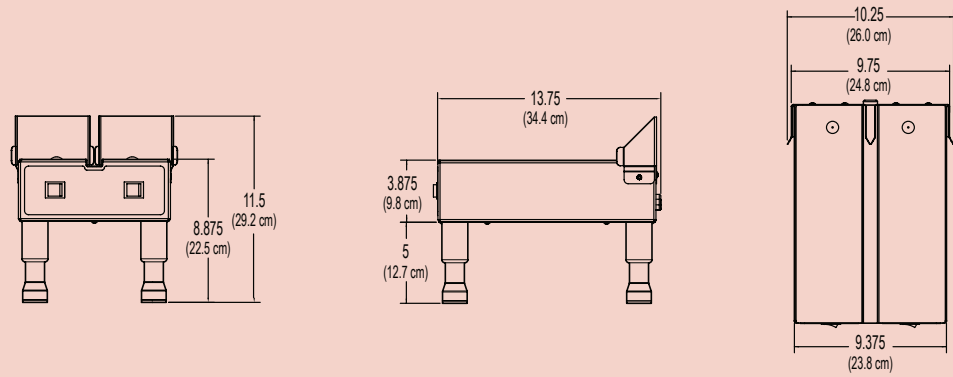
# GEMTN



# GEM-3N Satellite Server



# GEM-5N Warmer Stand



| Specifications          | Brew Heads | Batch Brewing Selections | Finished Brewing Capacity   | Dimensions (HxWxD)      | Voltage                                  | Power Requirements           | Water Source | Shipping Weight (lbs.) | Cube (cu. ft) |
|-------------------------|------------|--------------------------|-----------------------------|-------------------------|--|------------------------------|--------------|------------------------|---------------|
| <b>GEMTN</b>            | 2          | 6                        | 3 Gallons<br>(1.5 per side) | 31.75" x 18" x 27.875"  | 220V/Single Phase*<br>3 Wire plus Ground | 5200W/7600W**<br>23.6A/34.5A | 3/8" Flare   | 95                     | 11.62         |
| <b>GEM-3N Satellite</b> | N/A        | N/A                      | 1.5 Gallons                 | 11.25" x 5" x 19"       | N/A                                      | N/A                          | N/A          | 12                     | .63           |
| <b>GEM-5N Stand</b>     | N/A        | N/A                      | N/A                         | 11.5" x 10.25" x 13.75" | 120V/60Hz                                | 100W/.8A                     | N/A          | 10                     | .73           |

\* Optional 220VAC/3 Phase - Specify 3 Wire or 4 Wire Plus Ground.  
 \*\*Field convertible to higher wattage. Export Voltage Available - contact factory.



**WILBUR CURTIS COMPANY, INC.**  
 6913 Acco Street, Montebello, CA 90640-5403  
 Telephone: 800-421-6150 · 323-837-2300  
 Fax: 323-837-2406  
 www.wilburcurtis.com

