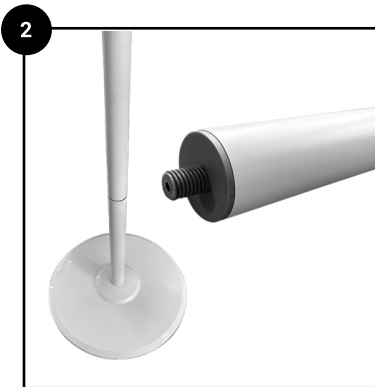


What's included:

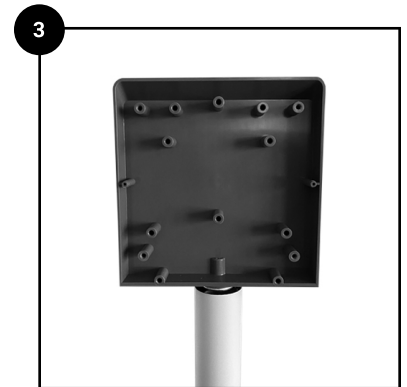
- A:** 3 x Poles
- B:** 1 x Mounting Board
- C:** 1 x Base
- D:** 1 x Mounting Back Plate
- E:** 4 x Screws
- F:** 1 x Base Bolt
- G:** 1 x Washer
- H:** 1 x Lock Washer
- I:** 2 x Threaded Pole Attachment
- J:** 1 x Wrench



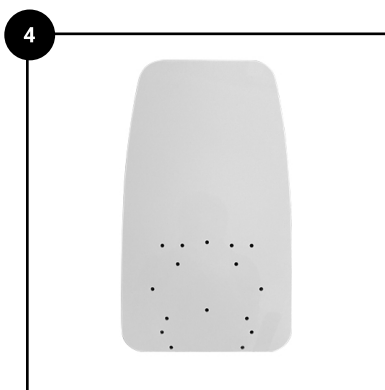
1
Unpack all components. Start with the dispenser stand base. Using the provided hardware, install the first pole to the base with the lock washer and bolt. Tighten, but be careful to not over-tighten.



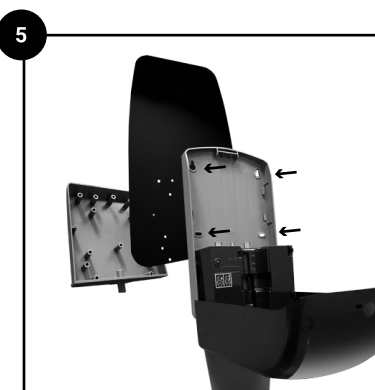
2
Screw on the pole attachment threaded pieces to each of the other two poles. Then, screw each of the poles to the base plate.



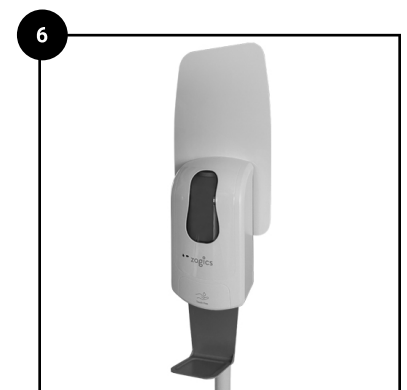
3
When all three poles are assembled, take the dispenser mounting back plate and screw it onto the top pole using the provided washer.



4
Take the dispenser mounting board and position it in place with the holes of the back plate.



5
Take your Touch-Free Dispenser, open the front lid using the dispenser key, and remove the refillable bottle. Line up the holes of the dispenser with the holes of the mounting board and back plate.



6
Use the four provided screws to install the dispenser to the back plate, completing the assembly.