

Oval Gazebo Second Tier

-BEFORE YOU BEGIN-

■ First...

Read these instructions thoroughly before you begin assembly. Assembly is easiest if you follow the steps in the order shown. In a drawing, a dotted line represents a part hidden from view (like a part under a panel). Lumber is graded from only one side. Check the part for the most attractive face and make sure to face it to the outside.

■ Check all parts

Compare the parts you have to the list, If a part is missing, circle the part in question and call our toll-free # at (800) 437-0784.

Always wear OSHA-APPROVED safety glasses throughout the assembly process

■ Tools Required

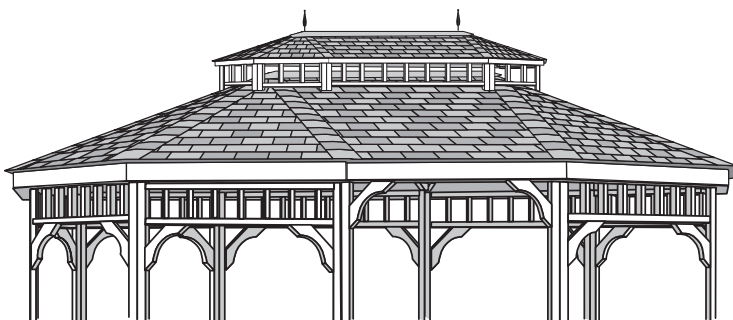
- Hammer
- Phillips Screwdriver
- Level
- Pencil
- Tape Measure
- Staple Gun with 1/4" or 3/8" staples

■ Optional Tools

- Electric Drill with #2 phillips Tip
- Square
- Nail Pouch
- 1/8" Drill Bit for Pre-drilling

Parts List

Qty.	Description	Size
10' Two Tier Parts		
<input type="checkbox"/> 8 pcs.	Pre-assembled Wall Panels	
<input type="checkbox"/> 2 pcs.	Pre-assembled Long Wall Panels	
<input type="checkbox"/> 2 pcs.	Ridge Block 8-Sided	
<input type="checkbox"/> 1 pc.	Metal Roof Cap from Gazebo	
<input type="checkbox"/> 8 pcs.	Triangular Roof Panels	
<input type="checkbox"/> 2 pcs.	Square Roof Panels	
<input type="checkbox"/> 6 pcs.	Plywood Gusset Brackets	
<input type="checkbox"/> 4 pcs.	2 left/2 right Plywood Gusset Brackets	
<input type="checkbox"/> 12 pcs.	Rafters	2 x 4 x 27"
<input type="checkbox"/> 2 pcs.	Center Rafter Support	2 x 4 x 43-1/4" angled
<input type="checkbox"/> 3 pcs.	Rafter Support Spacers	1/2" x 3-1/2" x 6"
<input type="checkbox"/> 8 pcs.	Fascia	2-1/2x21-1/16"
<input type="checkbox"/> 2 pcs.	Fascia	2-1/2x44-3/4"
<input type="checkbox"/> 10 pcs.	Fascia Trim	3/4" x 1-1/2" x 2-3/4"
<input type="checkbox"/> 2 pcs.	Roof Finial Block	1-1/2" x 1-1/2" x 3-1/2"
<input type="checkbox"/> 2 pcs.	Roof Finials from Gazebo	
<input type="checkbox"/> 1 pc.	13" Roll of screen	
<input type="checkbox"/>	Hardware #8 - 3" Screw, #8 - 1-5/8" Screw, 6d-2" Nail, 4d-1-1/2" Finish Nail, 3/4" Roofing Nail, 1" Roofing Nail	
12' Two Tier Parts		
<input type="checkbox"/> 10 pcs.	Pre-assembled Wall Panels	
<input type="checkbox"/> 2 pcs.	Pre-assembled Long Wall Panels	
<input type="checkbox"/> 2 pcs.	Hollow Ridge Block 10-Sided	
<input type="checkbox"/> 2 pcs.	Ridge Cap 10-Sided	
<input type="checkbox"/> 1 pc.	Metal Roof Cap from Gazebo	
<input type="checkbox"/> 10 pcs.	Triangular Roof Panels	
<input type="checkbox"/> 2 pcs.	Square Roof Panels	
<input type="checkbox"/> 2 pcs.	Plywood Gusset Brackets	
<input type="checkbox"/> 4 pcs.	2 left/2 right Plywood Gusset Brackets	
<input type="checkbox"/> 14 pcs.	Rafters	2 x 4 x 33-1/8"
<input type="checkbox"/> 2 pcs.	Center Rafter Support	2 x 4 x 43-1/16" angled
<input type="checkbox"/> 3 pcs.	Rafter Support Spacers	2 x 4 x 2-1/4"
<input type="checkbox"/> 10 pcs.	Fascia	2-1/2 x 20-9/16"
<input type="checkbox"/> 2 pcs.	Fascia	2-1/2 x 44-3/4"
<input type="checkbox"/> 12 pcs.	Fascia Trim	3/4" x 1-1/2" x 2-3/4"
<input type="checkbox"/> 2 pcs.	Roof Finial Block	1-1/2" x 2-1/2" x 3-1/2"
<input type="checkbox"/> 2 pcs.	Roof Finials from Gazebo	
<input type="checkbox"/> 1 pc.	13" Roll of screen	
<input type="checkbox"/>	Hardware #8 - 3" Screw, #8 - 1-5/8" Screw, 6d-2" Nail, 4d-1-1/2" Finish Nail, 3/4" Roofing Nail, 1" Roofing Nail	
14' Two Tier Parts		
<input type="checkbox"/> 12 pcs.	Pre-assembled Wall Panels	
<input type="checkbox"/> 2 pcs.	Pre-assembled Long Wall Panels	
<input type="checkbox"/> 2 pc.	Ridge Cap 12-Sided	
<input type="checkbox"/> 2 pc.	Hollow Ridge Block 12-Sided	
<input type="checkbox"/> 1 pc.	Metal Roof Cap from Gazebo	
<input type="checkbox"/> 12 pcs.	Triangular Roof Panels	
<input type="checkbox"/> 2 pcs.	Square Roof Panels	
<input type="checkbox"/> 2 pcs.	Plywood Gusset Brackets	
<input type="checkbox"/> 4 pcs.	2 left/2 right Plywood Gusset Brackets	
<input type="checkbox"/> 16 pcs.	Rafters	2 x 4 x 38-5/8"
<input type="checkbox"/> 2 pcs.	Center Rafter Support	2 x 4 x 42-13/16" angled
<input type="checkbox"/> 3 pcs.	Rafter Support Spacers	2 x 4 x 4-1/4"
<input type="checkbox"/> 12 pcs.	Fascia	2-1/2 x 20-3/16"
<input type="checkbox"/> 2 pcs.	Fascia	2-1/2 x 44-3/4"
<input type="checkbox"/> 14 pcs.	Fascia Trim	3/4" x 1-1/2" x 2-3/4"
<input type="checkbox"/> 2 pcs.	Roof Finial Block	1-1/2" x 2-1/2" x 3-1/2"
<input type="checkbox"/> 2 pcs.	Roof Finials from Gazebo	
<input type="checkbox"/> 1 pc.	13" Roll of screen	
<input type="checkbox"/>	Hardware #8 - 3" Screw, #8 - 1-5/8" Screw, 6d-2" Nail, 4d-1-1/2" Finish Nail, 3/4" Roofing Nail, 1" Roofing Nail	



10' Oval Second Tier - 10 sided Gazebo shown with Second Tier
 12' Oval Second Tier - 12 sided (not shown)
 14' Oval Second Tier - 14 sided (not shown)

1

SECOND TIER SCREEN AND WALL ASSEMBLY

PARTS LIST 10' GAZEBO

- 8 pcs. Short Wall Sections
- 2 pcs. Long Wall Sections
- 1 pc. Roll of Screen
- 6 pcs. Gussets
- 4 pcs. 2 left and 2 right Gussets

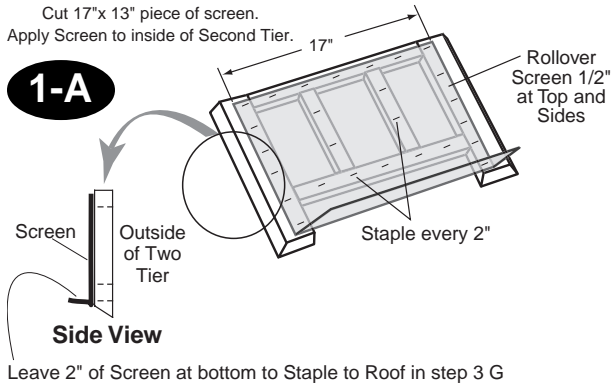
PARTS LIST 12' GAZEBO

- 10 pcs. Short Wall Sections
- 2 pcs. Long Wall Sections
- 1 pc. Roll of Screen
- 2 pcs. Gussets
- 4 pcs. 2 left and 2 right Gussets

PARTS LIST 14' GAZEBO

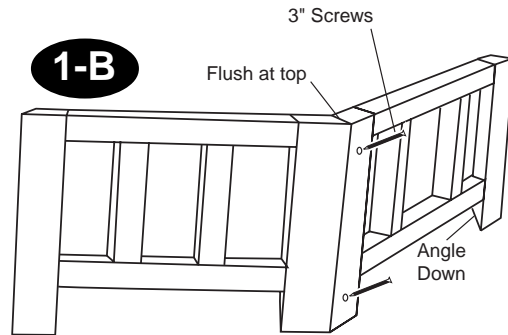
- 12 pcs. Short Wall Sections
- 2 pcs. Long Wall Sections
- 1 pc. Roll of Screen
- 2 pcs. Gussets
- 4 pcs. 2 left and 2 right Gussets

Note: Apply shingles on Gazebo all the way to the top covering ridge block. Metal roof cap and Roof Finial will be used to finish the second tier.

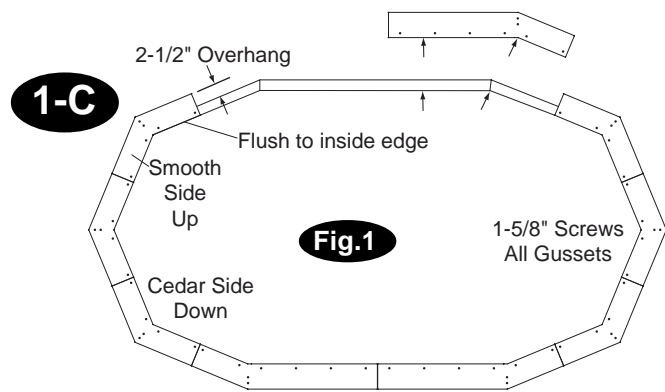


1-A: For a 10' Second tier Cut 8 sections of screen 17"x13" and 2 sections 43"x13" and apply to the inside of the Second Tier panel with staples (not included) every 2".

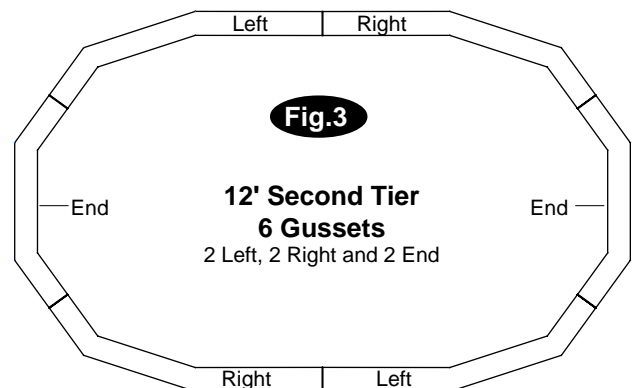
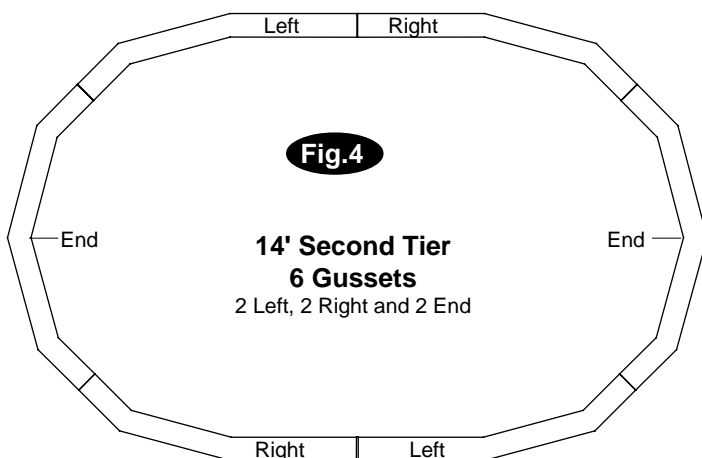
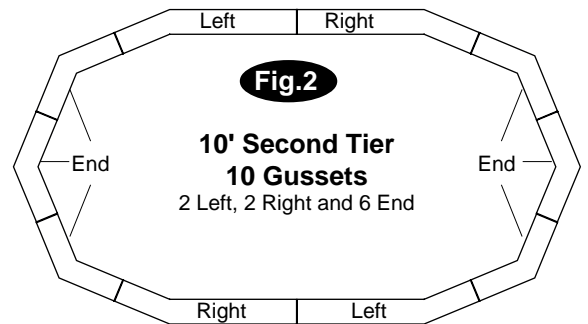
Gazebo Size	Total Pieces	17"x13" Size	43"x13" Size
10'	10	8	2
12'	12	10	2
14'	14	12	2



1-B: Stand up two Side Wall Panels and attach them together using two 3" screws as shown in illustration. Make sure that the two Wall Panels are flush at the top with Angle end down as shown. Connect all Wall Panels in this same manner with the long wall panel opposite each other to make the oval.



1-C: Install Gussets with Rough sawn Cedar side facing down using 1-5/8" screws for each Gusset inside pre-drilled holes. Make sure that the Gusset is flush to the inside of the Wall Panel and that the inside corner is directly over inside corner of Wall Panel as shown in **Fig. 1**. The Gusset should overhang the outside edge of the Wall Panel by 2-1/2". This step may require some shifting of the Wall Panel to bring it into proper position. The gap between Gussets may vary. For 10' Gazebo Second Tier see **Fig. 2**, For 12' Gazebo Second Tier see **Fig. 3**, For 14' Gazebo Second Tier see **Fig. 4**.



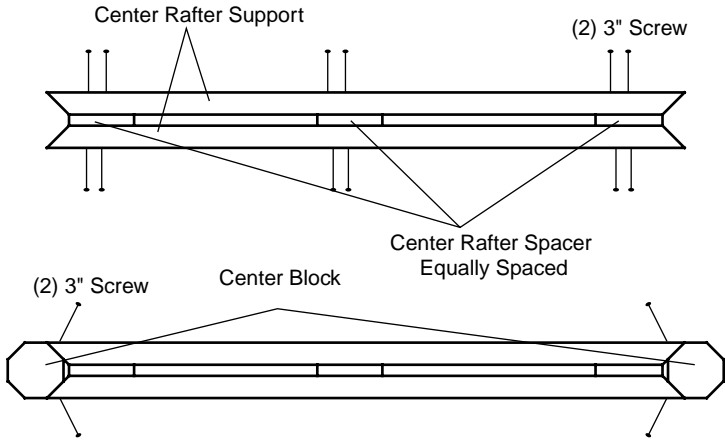
2

SECOND TIER RIDGE ASSEMBLY

PARTS LIST 10' GAZEBO

□ 2 pcs.	Center Rafter Support	2 x 4 x 43-1/4"
□ 3 pcs.	Center Spacer	1/2" x 3-1/2" x 6"
□ 2 pcs.	Solid Center Block 8 sided	

10' Assembly



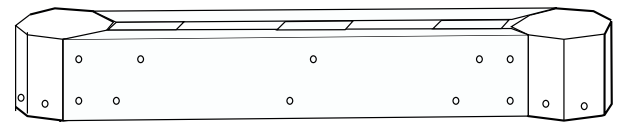
PARTS LIST 12' GAZEBO

□ 2 pcs.	Center Rafter Support	2 x 4 x 43-1/4"
□ 3 pcs.	Center Spacer	2 x 4 x 2-1/4"
□ 2 pcs.	Hollow Center Block 10 sided	

PARTS LIST 14' GAZEBO

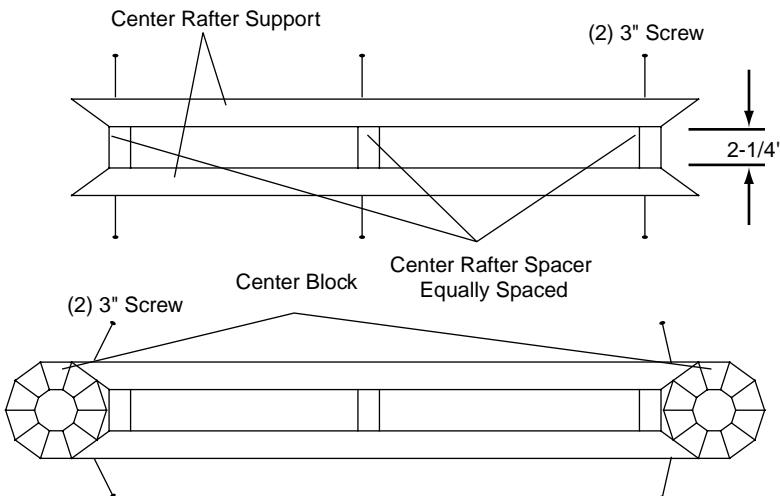
□ 2 pcs.	Center Rafter Support	2 x 4 x 42-1/4"
□ 3 pcs.	Center Spacer	2 x 4 x 4-1/4"
□ 2 pcs.	Hollow Center Block 12 sided	

2-A: 10' Gazebo - Layout Center Rafter Support (angled) and Center Support Spacers equally as shown. Use (2) 3" screws staggered as shown into each spacer. Install 2 solid center blocks with pre-drilled holes facing down, secure with 3" screws as shown.

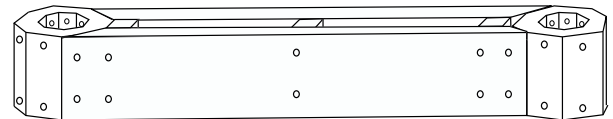


10' Gazebo Center Block Pre-Drilled Inside Holes Facing Down

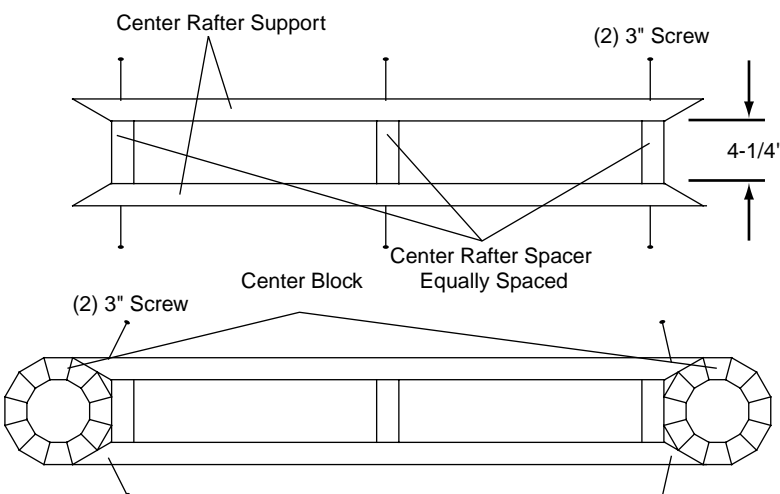
12' Assembly



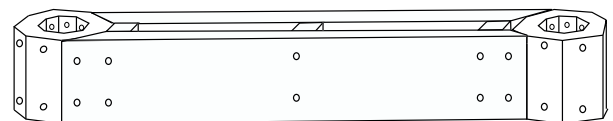
2-A: 12' Gazebo - Layout Center Rafter Support (angled) and Center Support Spacers equally as shown. Use (2) 3" screws into each spacer as shown. Install 2 hollow center blocks with 3" screws as shown.



14' Assembly



2-A: 14' Gazebo - Layout Center Rafter Support (angled) and Center Support Spacers equally as shown. Use (2) 3" screws into each spacer as shown. Install 2 hollow center blocks with 3" screws as shown.



3

SECOND TIER ERECTING RAFTERS

PARTS LIST 10' GAZEBO

- 12 pcs. Rafters 2 x 4 x 27"
- 1 pc. Assembled Ridge from 2-A

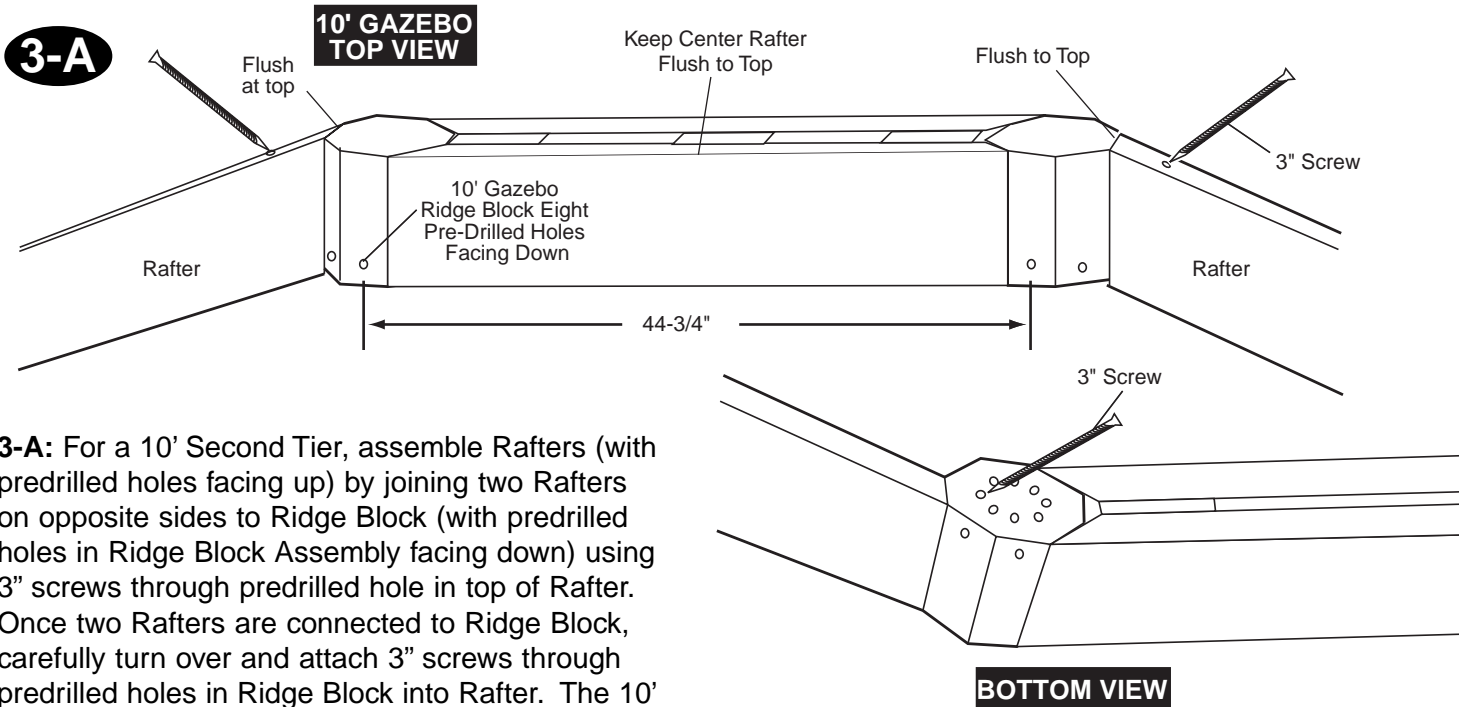
PARTS LIST 12' GAZEBO

- 14 pcs. Rafters 2 x 4 x 33-1/8"
- 1 pc. Assembled Ridge from 2-A

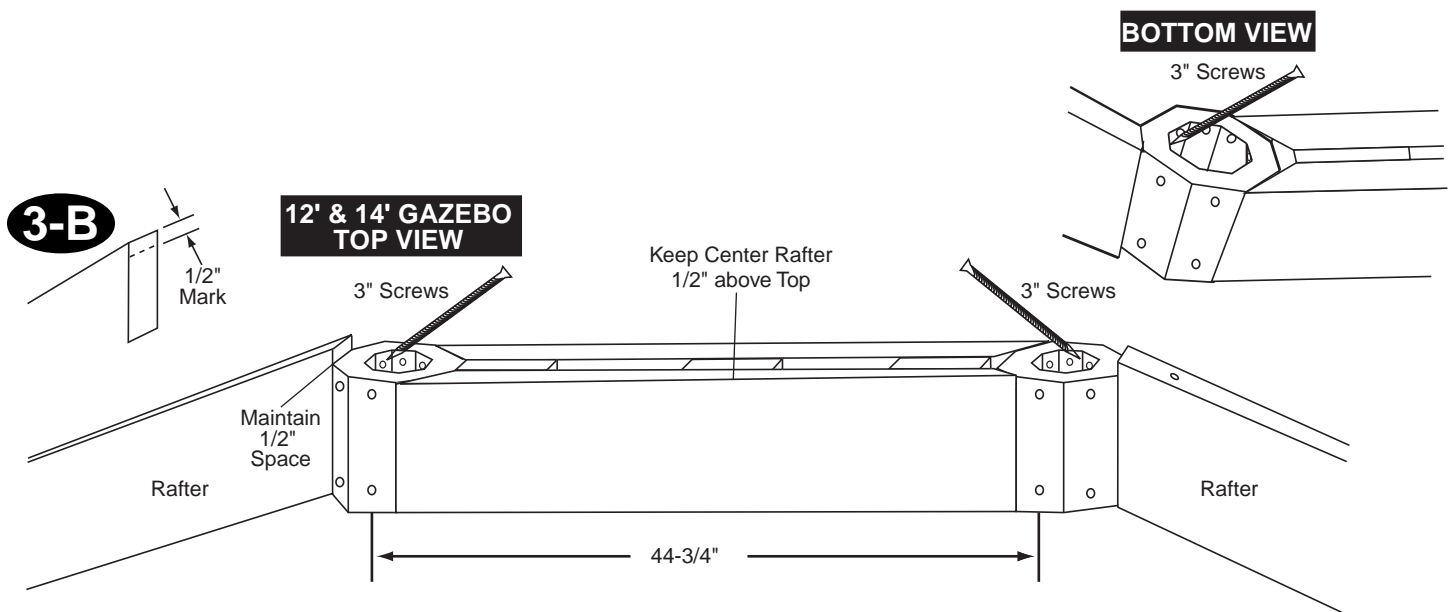
PARTS LIST 14' GAZEBO

- 16 pcs. Rafters 2 x 4 x 38-5/8"
- 1 pc. Assembled Ridge from 2-A

If you are assembling a 12' or 14' Second Tier, please begin with step 3-B, if you are assembling a 10' Second Tier, please go to step 3-A. Note: Step 3-A and 3-B only show the method for securing rafters to ridge assembly. Follow step 3-C for layout and attachment to Gussets.



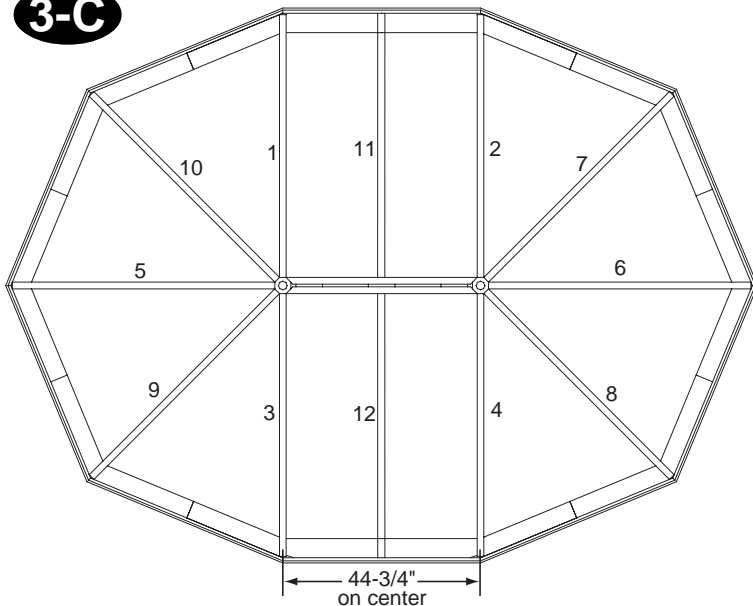
3-A: For a 10' Second Tier, assemble Rafters (with predrilled holes facing up) by joining two Rafters on opposite sides to Ridge Block (with predrilled holes in Ridge Block Assembly facing down) using 3" screws through predrilled hole in top of Rafter. Once two Rafters are connected to Ridge Block, carefully turn over and attach 3" screws through predrilled holes in Ridge Block into Rafter. The 10' Monterey has twelve Rafters.



3-B: For 12' and 14' Gazebo, assemble Rafters by joining two Rafters on opposite sides to Ridge Block Assembly using 3" screws through predrilled hole in top of Hollow Center Block. Leave a 1/2" gap between the top of the rafter and the Ridge block. Once two Rafters are connected to Ridge Block Assembly, carefully turn over and attach 3" screws through predrilled holes in Ridge Block into Rafter. The 12' has fourteen Rafters and the 14' has sixteen Rafters.

3 SECOND TIER RAFTER ASSEMBLY CONTINUED

3-C

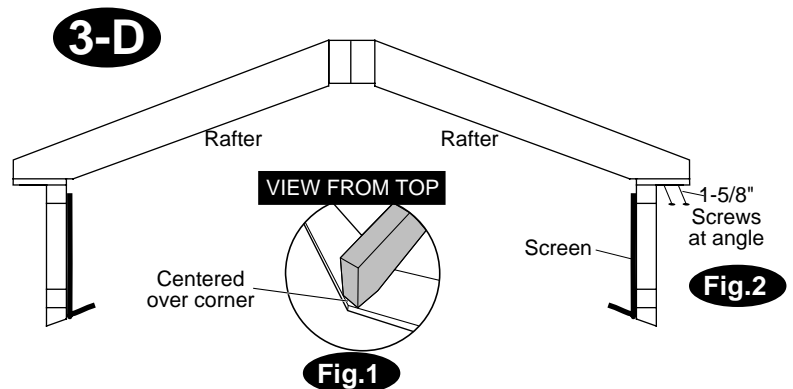


3-C: Attach rafters 1, 2, 3, 4 to Ridge assembly first. Set on Gussets and attach with 1-5/8" screws, see **3-D** for details. In windy conditions, have a second person hold this assembly in place until rafters 5 and 6 are installed. Layout and attach remaining rafters according to **3-C** for easier assembly. Install rafters in same order for 12' and 14' model gazebos.

NOTE: Adjust Wall corners in (or out) to fit.

3-D: Carefully lift the Rafter and Ridge Block assembly on top of the Gussets at opposite corners of the Gazebo Second Tier. Place Rafter Ends at center of outside corner of Gusset as shown. Once Rafter is in place, attach to Gusset with two 1-5/8" screws through predrilled holes from underside of Gusset into bottom of Rafter as shown.

Install remaining Rafters by inserting screws through Gusset, as shown in **Fig. 2**, while holding Rafter in position. Install 3" screw through top of Rafter or Ridge Block as shown in **3-A** or **3-B** top view. Once all Rafters are in place, install 3" screws in underside of Ridge Block into Rafters as shown in **3-A** or **3-B** bottom view.



3

SECOND TIER RAFTER ASSEMBLY CONTINUED

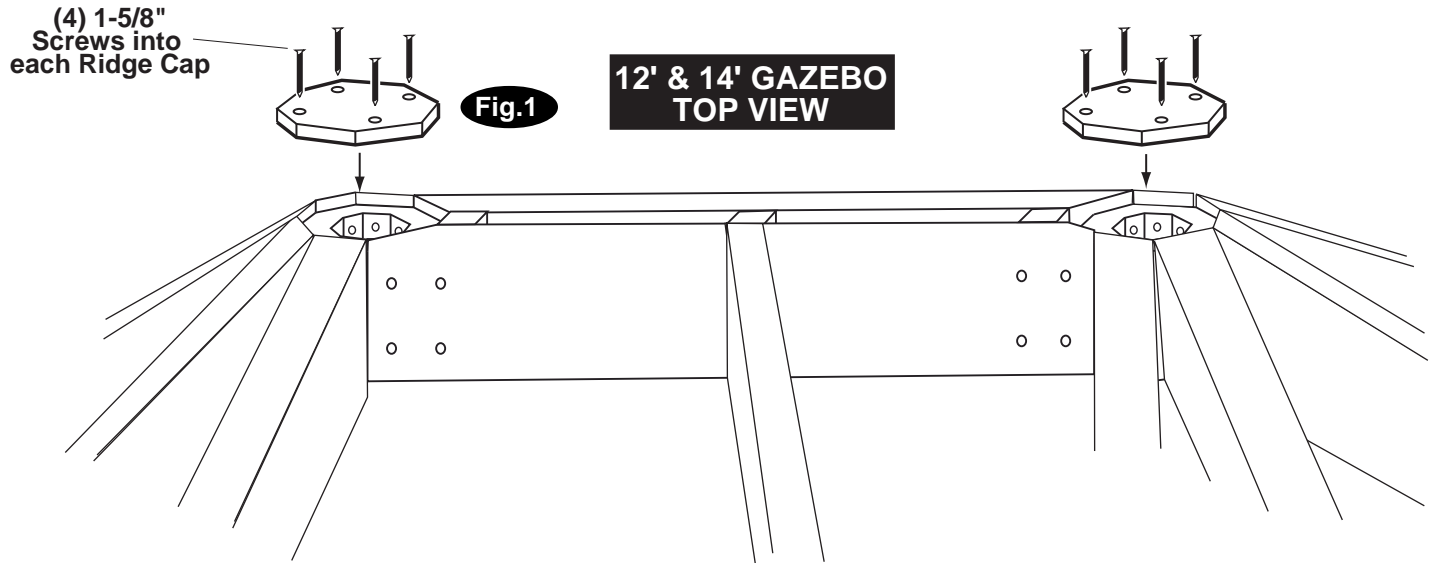
PARTS LIST 10' GAZEBO
 □ 2 pcs. Roof Finial Block

PARTS LIST 12' GAZEBO
 □ 2 pcs. Ridge Cap Tops
 □ 2 pcs. Roof Finial Block

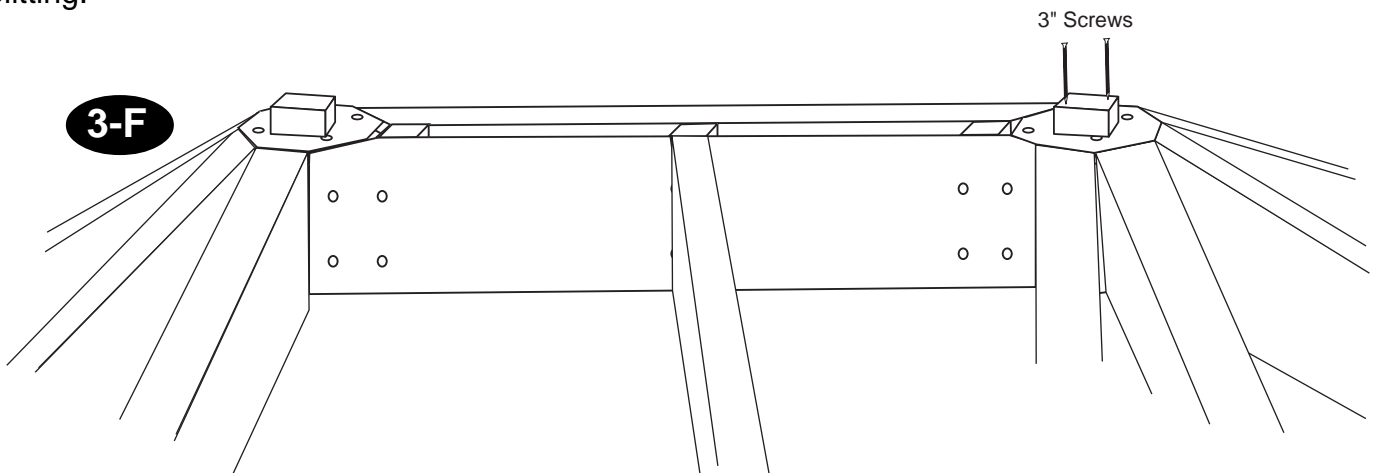
PARTS LIST 14' GAZEBO
 □ 2 pcs. Ridge Cap Tops
 □ 2 pcs. Roof Finial Block

3-E: For 12' and 14' Gazebo Only

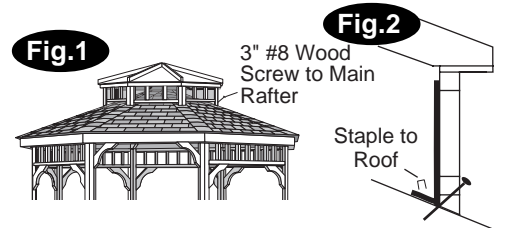
For 12' and 14' Gazebos, attach Ridge Cap to top of Ridge Block with four 1-5/8" screws as in Fig.1.



3-F: Add Roof Finial Block to top as shown with 3" screws. Use pre-drilled holes to keep from splitting.



3-G: Carefully place the Second Tier on top of your Gazebo aligning seam to Gazebo Seam. Fasten into roof with 3" screws through Wall Panel into Rafter below as shown in Fig. 1. Staple screen to roof every 2" as shown in Fig. 2. Pre-drill mounting hole to keep from splitting.



4

ASSEMBLING SECOND TIER ROOF CONTINUED

PARTS LIST 10' GAZEBO

- 8 pcs. Triangular Roof Panels
- 2 pcs. Square Roof Panels
- 8 pcs. Fascia
- 2 pcs. Fascia long
- 10 pcs. Fascia Trim

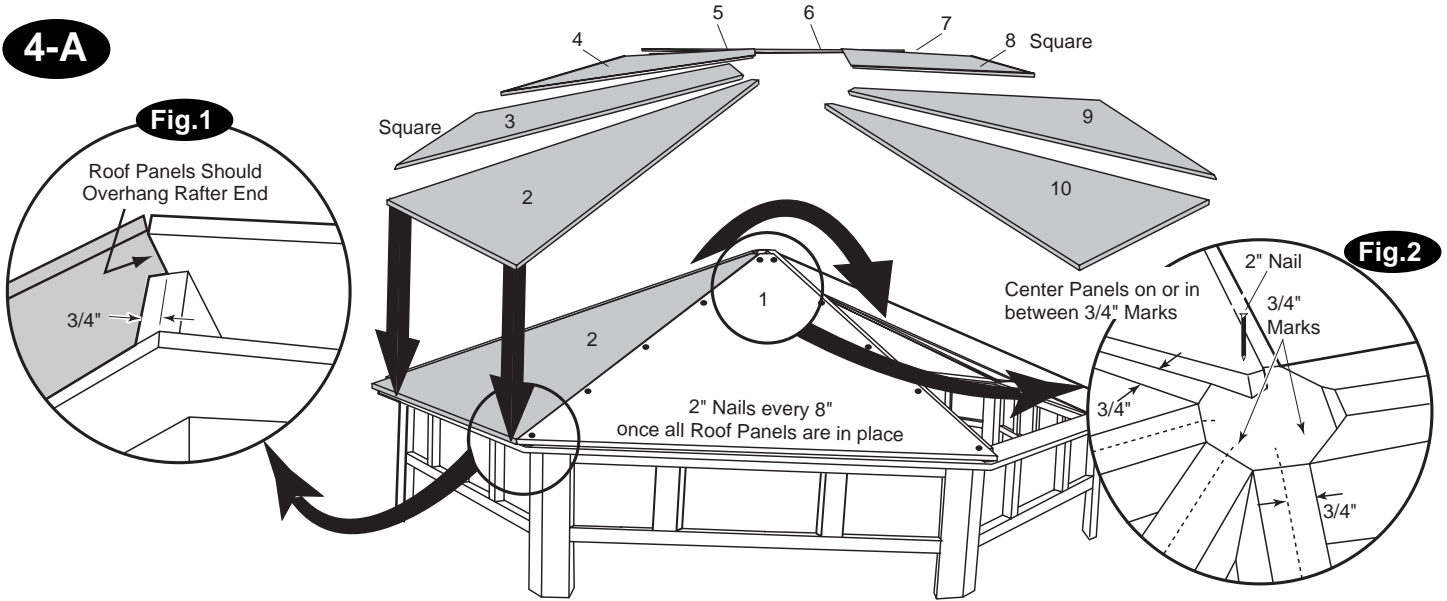
PARTS LIST 12' GAZEBO

- 10 pcs. Triangular Roof Panels
- 2 pcs. Square Roof Panels
- 10 pcs. Fascia
- 2 pcs. Fascia long
- 12 pcs. Fascia Trim

PARTS LIST 14' GAZEBO

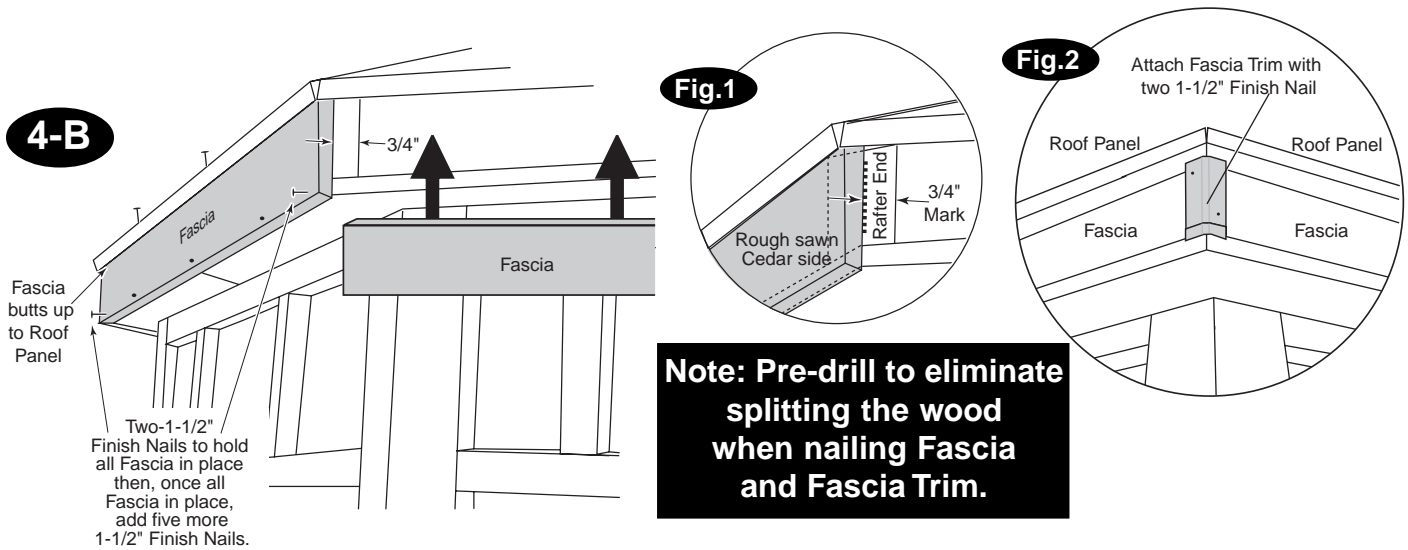
- 12 pcs. Triangular Roof Panels
- 2 pcs. Square Roof Panels
- 12 pcs. Fascia
- 2 pcs. Fascia long
- 14 pcs. Fascia Trim

4-A



4-A: Along each Rafter, place a mark 3/4" in on each Rafter to help center Roof Panels as shown in **Fig. 1** and **Fig. 2**. Set first Roof Panel in place on top as shown in **Fig. 2** and temporarily nail with one 2" nail at the top of Roof Panel. Continue with remaining roof panels. Shift slightly left to right to line up bottom edge of roof panels. Install all remaining Roof Panels, **only temporarily nailing in place**, with two 2" nails at bottom corners. Once all Roof Panels are in place and fit properly on your Second Tier, then nail through Roof Panel into Rafters every 8" with 2" nails.

4-B



Note: Pre-drill to eliminate splitting the wood when nailing Fascia and Fascia Trim.

4-B: Place a mark 3/4" in on end of Rafter as shown in **Fig. 1**. Center Fascia on Wall Panels in between corners and 3/4" marks and butt Fascia to bottom of Roof Panels. **Tack on the Fascia to the Gussets at each corner with one 1-1/2" Finish Nails.** Continue attaching remaining pieces of Fascia for Second Tier. Once all Fascia are in place, finish along bottom edge nailing with three more 1-1/2" Finish Nails and two nails through Roof Panel into Fascia. Attach Fascia Trim over seam where two Fascia panel pieces meet and attach with two 1-1/2" Finish nails through Fascia Trim into Fascia Panel as shown in **Fig. 2**. Pre-drilling is recommended.

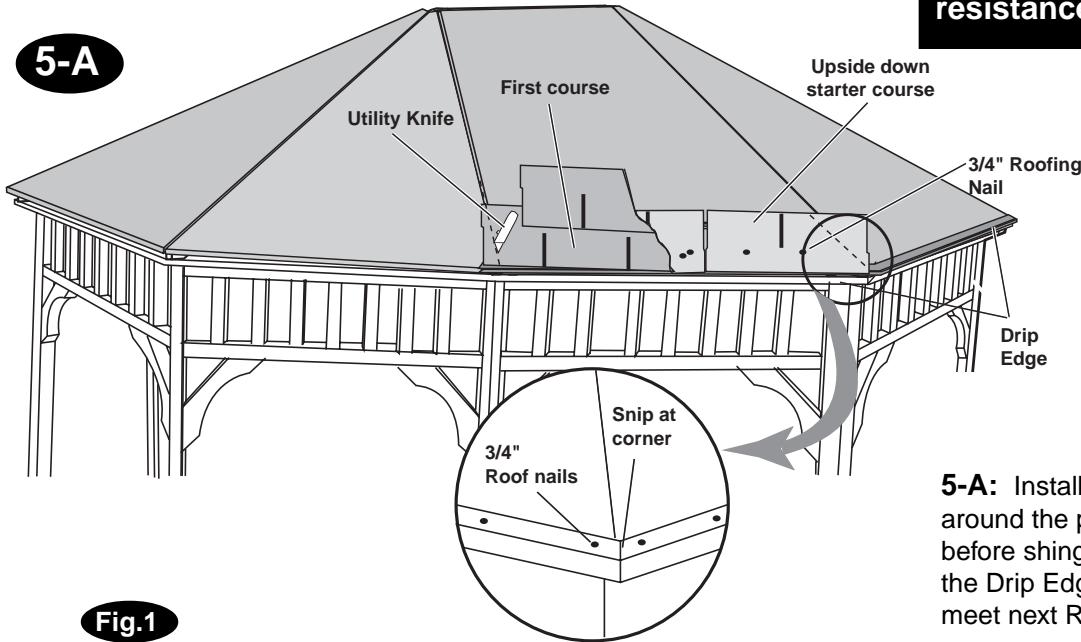
5

INSTALLING DRIP EDGE, SHINGLES, METAL CAP AND SPINDLE

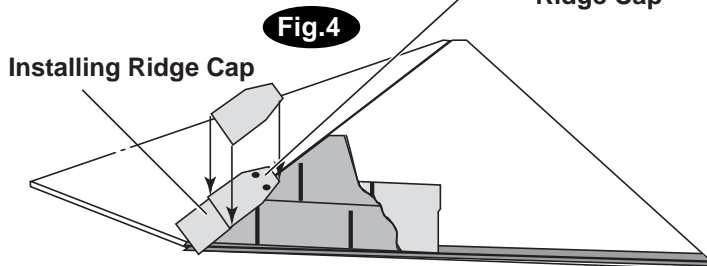
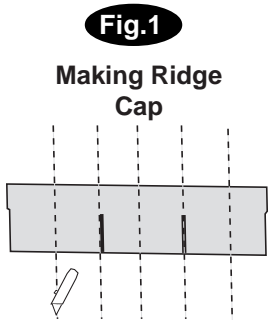
- 1 Bundle
- 2 Bundle
- 20 feet
- 1 Pc.
- 1 Pc.

- Shingles (not included) for 10' & 12' Gazebo
- Shingles (not included) for 14' Gazebo
- Drip Edge (not included) for 10', 12' & 14'
- Metal Roof Cap from Gazebo
- Roof Finial from Gazebo

Caulking the Roof Seams before shingling will improve the water resistance of your Gazebo.

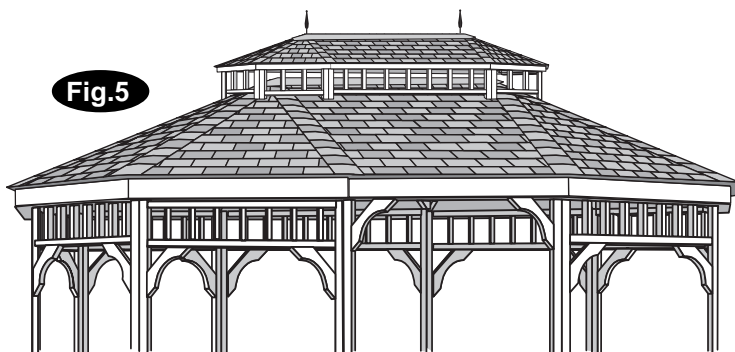


5-A: Install the recommended Drip Edge around the perimeter of the Roof Panels before shingling the Roof. Snip the top of the Drip Edge at corners and bend to meet next Roof Panel.



Install a starter course of Shingles consisting of a row of Shingles with tabs facing up as shown in **5-A**. Attach with 3/4" Roofing Nails supplied with kit. After starter course is completed, cut excess shingles off along seam of Roof Panels with Utility Knife as shown in **5-A**. Next, place first course of shingles directly over starter course in normal position and nail. Cut excess material off in the same manner as starter course. Continue up Roof Panel, overlapping Shingles as you go and cutting off excess.

To create Ridge Caps, take a shingle and cut it into six equal pieces as shown in **Fig. 1**. Cut about 1/3 of Shingle at top on an angle as shown in **Fig. 2**. Install Ridge Caps (**Fig. 3**) over seams where the excess Shingle material was cut off, making sure to cover each of the angled cut ends of the Ridge Cap. Attach each Ridge Cap with two 1" roof nails supplied with kit (**Fig. 4**).



Place Metal Roof Cap from original Gazebo on top of shingled Second Tier and install Roof Finials for original Gazebo through hole in cap and screw down snugly (**Fig. 5**).