



G3 DIGITAL COMBO BREWING SYSTEMS

MODELS: CBS, CBP

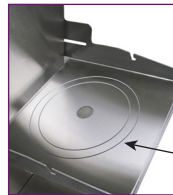
Revolutionary Design
TWO Ultra-Precision Inlet Valves
and Water Level Sensor System provide
unsurpassed tea flavor



CBS10000
Shown with TC0421 Oval Tea Dispenser.
Iced Coffee recipe included.



CBS10000
Shown with TLXA-22
Airpot Coffee Dispenser



Embossed guides on shelf ensure that server is properly aligned under brew cone.



CBP10000 - Low Profile
Shown with TLXP19 Pour Pot with short brew cone.



CBP10000 - Low Profile
Shown with TC0308 Oval Tea Dispenser and optional Dual Batch overlay.



Safety switch ensures tea brewing only when proper vessel is in place

The Curtis GT ComboBrew. Your SINGLE, simple brewing solution for flavorful iced tea and gourmet coffee!

Now you can brew delicious iced tea AND rich, robust coffee from the same precision system. With a simple change of brew cone and coffee serving vessel, the new Curtis G3 ComboBrew provides a perfectly brewed coffee. At the center of the ComboBrew is Curtis' exclusive G3 Universal Control Module. This sophisticated digital "brain" provides precision control over the entire brewing and operating process. Its pre-programmed factory settings deliver ideal results right out of the carton. Simply add bulk tea leaves, flowthru filter packs or ground coffee, then press the clearly marked brew button for gallons of cool, flavorful iced tea or rich coffee in just minutes.

With the Curtis ComboBrew, gourmet coffee brewing is not an afterthought...the system has been engineered to provide the same brewing features as our G3 Airpot system.

ITEM NO

PROJECT

DATE

FEATURES AT A GLANCE

- **G3 Digital Control Module (G3/Technology)** – Offers full brewing programmability with unsurpassed reliability. Allows for gourmet fine-tuning with Pulse-Brewing, Pre-Infusion, Fast-Brew, Dual-Batch and other G3 standard features.
- **Three Beverage Options** – Allows you to brew Coffee, Iced Coffee and Iced Tea from one model.
- **Dual Batch Option** – Program selectable for full or half batch brew. Overlay available (*Order Separately*).
- **Curtis' Exclusive G3 3-Year Warranty** – Protects your digital investment.
- **Intuitive Scroll-Through Precision Programming** – Large display communicates functions at a glance. Easily adjust time, volume, temperature, brew functions and more.
- **Saves Operating Costs** – Save mode automatically activates when brewer is idle.
- **On-Board Diagnostics Reduce Downtime** – Continual sensing of proper operation. A Service Phone Number and error code will be displayed in the rare event assistance is required.
- **Standard (CBS) and Low-Profile (CBP) Models** – Select the ideal model to suit operational space and volume requirements.

ICED TEA BREWING FEATURES

- **Factory Set Iced Tea Recipes . . . Regular and Tropical** – For out-of-the-box operation.
- **G3 Enhanced Tea Flavor & Clarity** – Two separate precision valves and G3 technology provide unsurpassed control over concentrate brewing and dilution cycles.
- **"Tuneability"** – Digitally precise adjustments allow for fine tuning of tea's flavor.
- **Automatic Brew Lock-Out Switch for Enhanced Safety** – Tea brewing is only allowed when TCO Dispenser is detected in place.

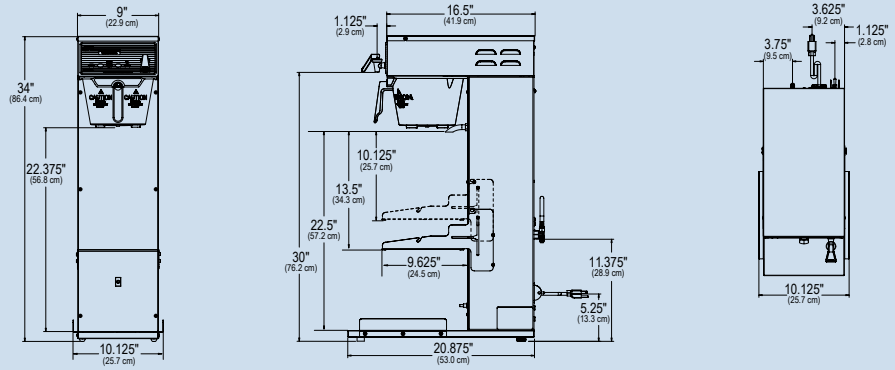
COFFEE BREWING FEATURES

- **Gourmet Fine Tuning Brewing Modes** – Pre-infusion or pulse brew enhances extraction of gourmet coffee flavor.
- **Adjustable Shelf** – Accommodates brewing into smaller airpots and other serving vessels.



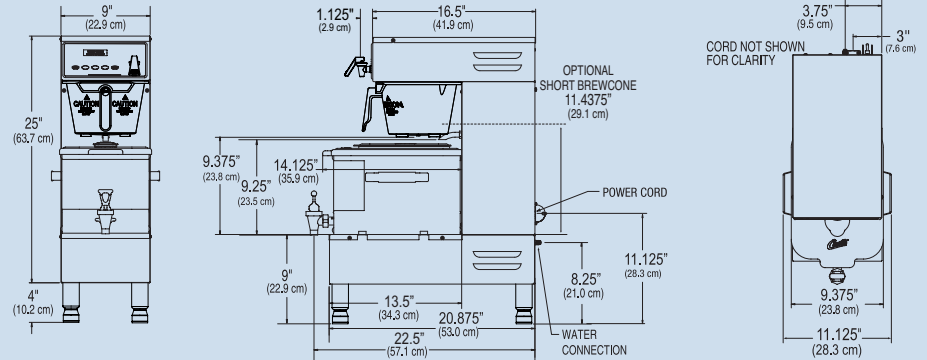
CBS

(Dispenser Not Included)



CBP Low Profile

(TCO 308 Dispenser Included)



Specifications	CBS	CBP
Finished Brew Capacity	3 to 5 Gallons	3 Gallons
Dimensions (H x W x D)	34" x 10.125" x 20.875"	29" x 9" 20.875"
Faucet Clearance	N/A	9"
Voltage	120AVAC/60Hz	120AVAC/60Hz
Power Requirements	1675W/14A	1700W/14.2A
Cord & Plug	6 ft/NEMA 5-15P	6 ft/NEMA 5-15P
Water Inlet	1/4" Flare	1/4" Flare
Shipping Weight	38 lbs.	46 lbs.
Cube (cu. ft)	9.14	7.5

Accessories for Coffee	CLXP64	TLXP19	TLXA25	TLXA22	TLXA30	CAP-T1
Description	Thermal Pour Pot	Thermal Pour Pot*	Airpot Lever*	Airpot Lever (CBS only)	Airpot Lever (CBS only)	Gravity Thermal Server w/base (CBS only)
Capacity	64 oz./1.9L	64 oz./1.9L	2.5L	2.2L	3.0L	2.5L
Dimensions(H")	7.25"	11.4"	11"	13"	12"	16.75"

* Requires optional WC-37242 short brewcone on CBP.

Accessories for Tea	TC-3H	TC-5H-S	TCO308	TCO421
Description	Round Tea Dispenser	Round Tea Dispenser	Oval Tea Dispenser with Brew-thru Lid	Oval Tea Dispenser with Brew-thru Lid
Capacity	3.5 gal.	5 gal.	3 gal.	4 gal.
Dimensions(H")	22.75"	23"	9.875"	21.75"



WILBUR CURTIS COMPANY, INC.
 6913 Acco Street, Montebello, CA 90640-5403
 Telephone: 800-421-6150 · 323-837-2300
 Fax: 323-837-2406
 www.wilburcurtis.com

