



EXPRESSIONS MULTI-FLAVOR CAPPUCCINO

MODEL: EXPR10



ITEM NO

PROJECT

DATE

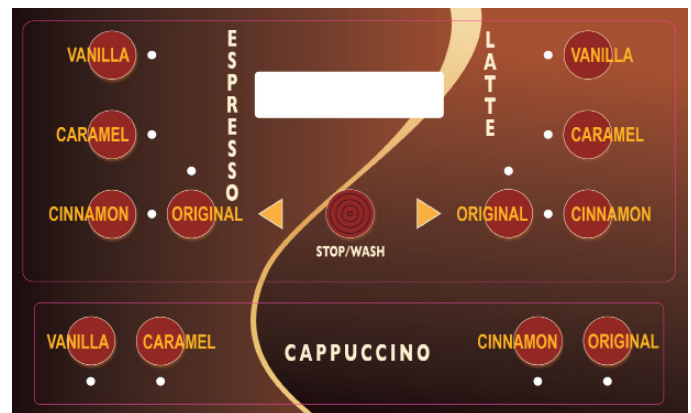
FEATURES AT A GLANCE

- **G3 Digital Control Module** - Provides precise control over all critical blending and dispensing functions.
- **Custom design and programming for each unique flavor dispense.**
- **Large LCD digital display** — allows for easy Scroll-through precision Programming as well as on-board diagnostics.
- **Mix and dispense 12 drinks from only 5 ingredients.**
- **Compact design requires only 14.5" of counter space.**
- **Large, customizable, backlit graphic display and flavor labels.**
- **Easy access front door with hinged panel** — Simplifies powder refills and maintenance.
- **Easy-Serve dispensing tube with large capacity drip tray** — Integral guide, positions cup directly below dispensing spout. Dual Overflow via-ducts indicate when drip tray should be drained.
- **Touch-Button Hot Water Cleaning System** — Simple, one button operation sends a powerful blast of hot water into the whipper chamber, rinsing it for easy clean-up and reducing powder build up.
- **Standard 120VAC Operation** — Makes installation quick and simple.
- **Curtis Exclusive 3/2/1 Warranty** — 3-years electronic components, 2-years non-electronic components, 1-year labor.
- **Specialty concentrated product is required for use.**

Introducing the Curtis Expressions Multi-Flavor Beverage Dispenser

Beautifully styled, digitally advanced and financially rewarding, there's never been anything like the all-new Expressions Multi-Flavor™ Beverage Dispenser from Curtis. It captures attention from the moment your customers walk in. The endless flavor combinations stimulate more impulse sales.

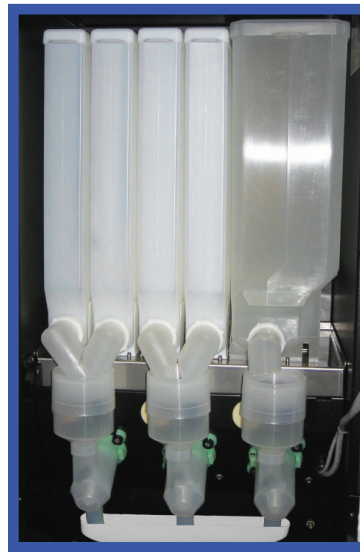
But the real beauty is what lies behind its stunning surface. Curtis has incorporated the industry's most advanced digital technology – G3 ADS™ – into the new Multi-Flavor Machine. It's this G3 technology that dramatically simplifies use, minimizes maintenance costs and increases your profitability.





Angled Whipping Chamber and "Brake-Type" Auger Motors

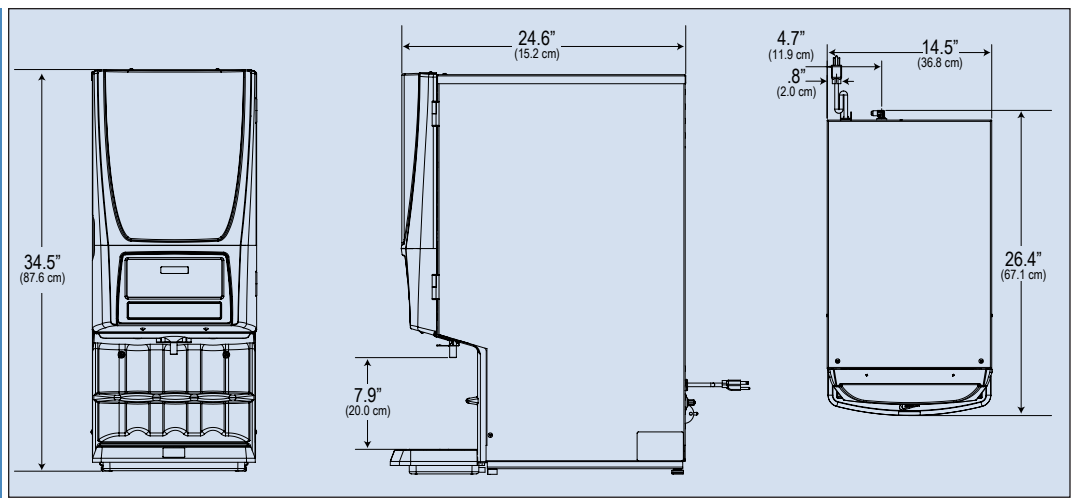
To ensure perfect drinks, powder augers feature a brake-type motor that accurately stops the dispensing process at the set ratio every time. Angled chamber drain liquids far better to significantly reduce cleaning requirements.



Hopper Assembly

1-10 pound hopper for base product and 4 - 2 pound hoppers for flavors. Features a three in one dispense nozzle and shares common parts across PCGT models.

EXPR10



Hoppers	Hopper Capacity	Water Tank	Graphic Display Area (H x W)	Dimensions (H x W x D)	Cup Clearance	Voltage	Power Requirements	Cord & Plug	Water Inlet	Ship Weight	Cube
5	1-10 lb. & 4-2 lbs.	5.3 gallons	13.75" x 11.825"	34.5" x 14.5" x 26.25"	7.9"	120V/60Hz	1800W/15A	6 ft. NEMA 5-15P	1/4" Flare	136 lbs.	19.74 cu. ft.



WILBUR CURTIS COMPANY, INC.
 6913 Acco Street, Montebello, CA 90640-5403
 Telephone: 800-421-6150 · 323-837-2300
 Fax: 323-837-2406
 www.wilburcurtis.com

