

McKESSON

Mayo Instrument Stand

For use with McKesson MFR # 16-43465.

ASSEMBLY INSTRUCTIONS

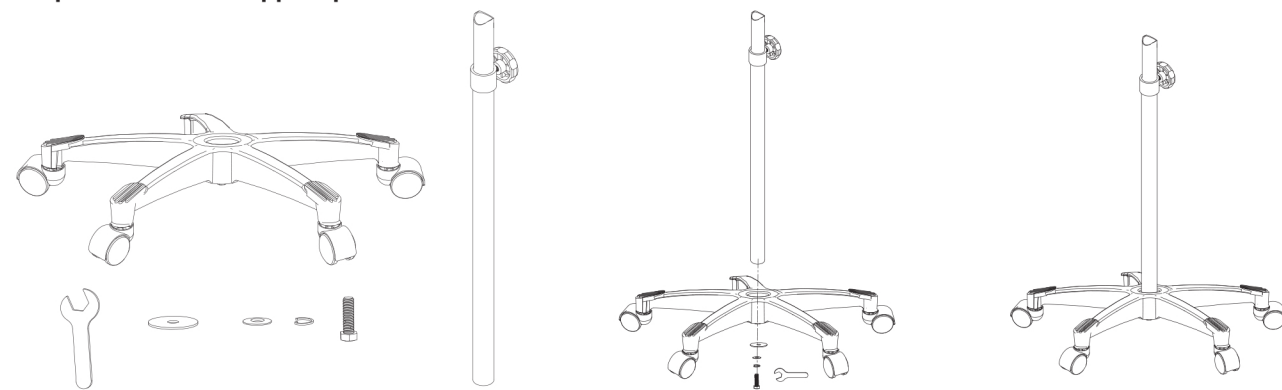
This Mayo Instrument Stand is intended for use to place sterile instruments and supplies during surgery or medical procedures.

WARNING: Read and understand the instructions before assembly and using the instrument stand. If the instrument stand is not properly assembled, this can cause personal injury or property damage. Check the instrument stand during each use to ensure that all parts are secured, and the height adjustment knob is tightened securely before each use.

McKesson assumes no responsibility for injury or damage caused by improper use or assembly of this product.

MAXIMUM WEIGHT CAPACITY: 33 lb

Step 1 Install the support pole.



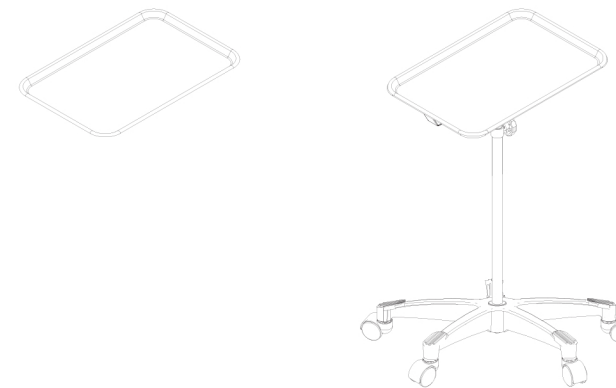
1. Insert the support pole into the hole of the five-leg base, tightening the screw securely.

Step 2 Install the tray frame.



1. Put the tray frame on the top of the support pole aligning the tube end with the arc opening, tighten the screws securely.

Step 3 Install the tray frame.



1. Put the tray on the tray frame ensuring it is in place.
2. Adjust to the desired height and tighten the Hex knob securely, installation is now complete.

CLEANING: Gently cleanse the instrument stand with a soft, damp, clean cloth using mild soap and water. Do not use abrasive cleaners as this may damage the instrument stand's finish.

WARNING: Cancer and Reproductive Harm - www.P65Warnings.ca.gov.

Not made with natural rubber latex. Reusable.

Satisfaction Guaranteed

If you are not completely satisfied with any McKesson Brands product, you may return it for a full refund or credit within 12 months from the purchase date. McKesson Brands satisfaction guarantee is limited to products purchased directly from McKesson. If a McKesson Brands product is not purchased directly from McKesson, any return request or request for refund must be directed to the selling party.

Questions? Call 1-800-777-4908

Distributed by McKesson Medical-Surgical Inc.
Richmond, VA 23233
PVN A0622
Made in China