

Protekt® Lite

PORTABLE LIFT

NEW!

ELECTRIC FULL BODY FOLDING PATIENT LIFT

The Proactive full body folding patient lift represents a new standard in full body lifts for individuals who travel or have storage issues in their home. The small foot print is ideal for home use. It easily folds up to fit in most automobile trunks for transport or travel.



PUSH HANDLES



FITS IN CAR TRUNK



ROLLS ON CASTERS

- Portable and foldable for easy storage and transportation .
- Lightweight and easy to move (83 lbs).
- Tool-Free assembly and disassembly.
- Battery powered with a high-capacity battery pack.
- Optional scale available.
- Optional spare battery and wall charger available
- 400lb weight capacity.
- Low battery and overload warning alarm.
- Built in battery gauge.
- Emergency stop button.

30400PLEF



30400PLEF BEING USED
STANDING ON THE FLOOR



30400PLEF BEING USED ON
THE BED



30400PLEF BEING USED
WITH A WHEELCHAIR

DIMENSIONS

Key Dimensions of 30400PLEF	
Maximum capacity	400Lb / 180Kg
Base legs length	41.6"
Base closed external width	25.8"
Based open external width	37.7"
Mast height	47.5"
Base height	4.5"
Min. lifting height	27.4"
Max. lifting height	67.2"
Net weight	83Lb / 38Kg
Shipping weight	106Lb / 48Kg

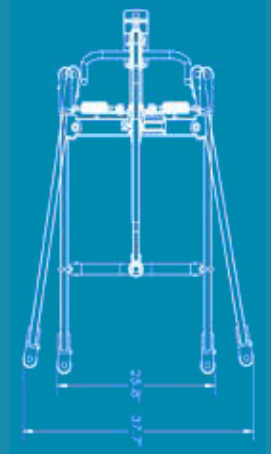
* SPECIFICATIONS PROVIDED ARE A GENERAL GUIDELINE
AND ARE SUBJECT TO CHANGE WITHOUT NOTICE

WARRANTY:

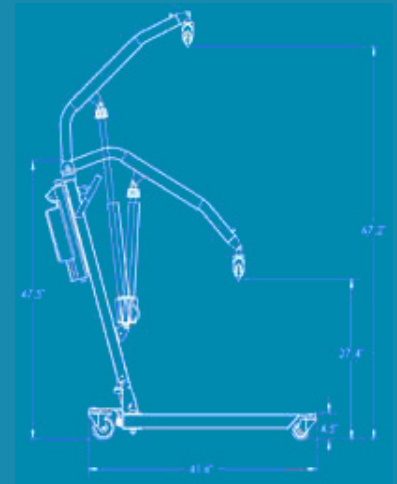
Electronics 2 years Frame 3 years

SCALE OPTION:

Digital scale available on all Propekt®
Patient Lifters. Comes with all
necessary hardware.



TOP VIEW OF
30400PLEF



SIDE VIEW OF
30400PLEF



FOLDED AND FLAT



FOLDED AND STANDING

270 Washington Street Mount Vernon, NY 10553

Tel: 855-BE-PROACTIVE (855-237-7622)

Fax: 845-205-6005

www.proactivemedical.com

sales@proactivemedical.com