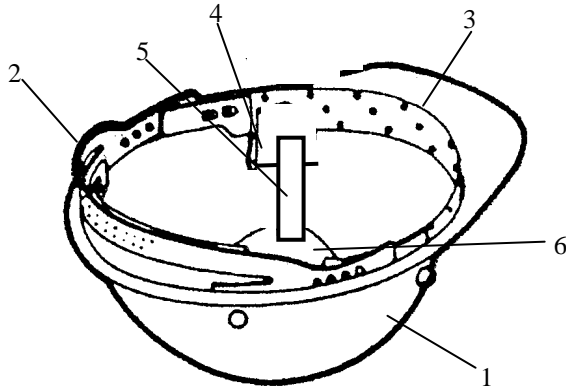




Cap Style Hard Hat - 4 point Snap Lock Suspension



1. Shell
2. Suspension
3. Sweat Band
4. Clip
5. Support
6. Central Ring

Part Numbers & Description

HP14010 = White shell

HP14020 = Red shell

HP14030 = Yellow shell

HP14035 = Green shell

HP14040 = Orange shell

HP14041 = Hi Vis Orange

HP14060 = Blue shell

Shell Material – High density polyethylene

Standard: ANSI Z89.1-2009

Type: 1

Class: C, G, & E

Testing: Impact, Penetration, Flammability, Electrical Insulation, Marking & Humidity

Cleaning Instructions: Wipe the shell clean with mild soap and water. Do not use paint, chemicals or solvents as they could reduce the impact and electrical properties.

Do not clean the suspension, replace when worn or dirty.